

Features

- Versatile, contemporary design
- Two handles offer separate control of hot and cold water
- Red/blue indexing on handles
- 6-5/8" (168 mm) spout reach
- Aerated flow delivers a smooth, steady stream of water
- Stationary spout
- 2.2 gpm (8.3 lpm) maximum flow rate at 45 psi (3.1 bar)
- Includes metal pop-up drain with 1-1/4" (32 mm) tailpiece
- Coordinates with other products in the Parallel collection
- Requires valve (sold separately)

Material

- Premium material construction for durability and reliability
- KOHLER® finishes resist corrosion and tarnishing

Installation

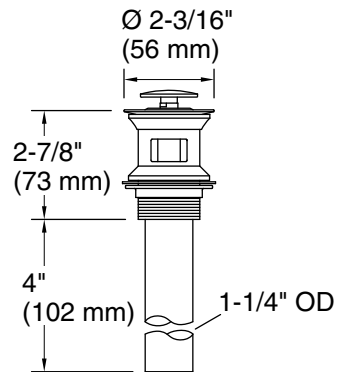
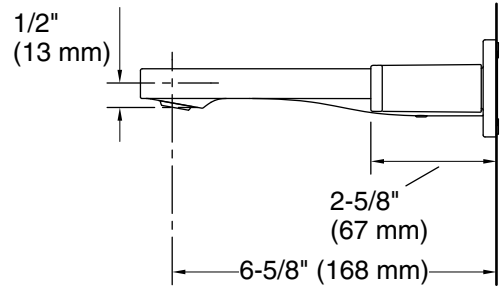
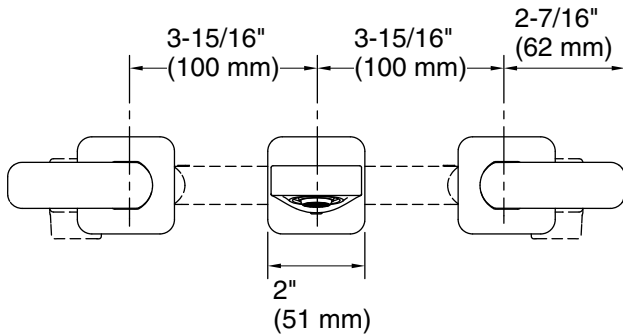
- Wall-mount
- Requires wall-mount K-31141T valve (sold separately)



Codes/Standards

Plumbing Standards
GB 18145

See website for detailed warranty
information.



Technical Information

All product dimensions are nominal.

Faucet:

Flow rate: 2.2 gal/min (8.3 l/min)

Drain included: Yes

Drain with overflow: No

Spout:

Spout reach: 6-5/8" (169 mm)

Notes

Install this product according to the installation instructions.