

Features

- Customizable farmhouse apron lets you choose a design to complement kitchen decor
- Match the farmhouse apron with your countertop/backsplash material or select a KOHLER insert
- Inserts are changeable
- Patented Tailor™ carrier bracket system makes for simple and secure insert installation
- Fits minimum 36" (914 mm) apron sink base cabinet
- Large/medium bowls
- 9" (229 mm) depth provides generous workspace
- Smart Divide® feature offers a lower bowl divider that increases workspace versatility
- Self-Trimming® apron overlaps cabinet face for easy installation and beautiful results
- Rear drain placement increases cabinet storage space underneath sink
- Rounded 0.39" (10 mm) corners are easy to clean

Material

- 16-gauge basins and 4-gauge apron
- Handcrafted from premium stainless steel

Installation

- Undermount
- Carrier has adjustability to ensure insert is centered
- Apron is designed to accommodate traditional countertop material thicknesses of 1.18" (30 mm) or less

Recommended Products/Accessories

- K-8801 Sink drain and strainer with tailpiece
- K-8799 Sink drain and strainer basket
- K-6477 Sink Rack
- K-23726 Drain treatment
- K-23729 Stainless steel cleaner

Optional Products/Accessories

- K-11352 Disposal Flange with Stopper

Included Components

- K-6476 Sink Rack

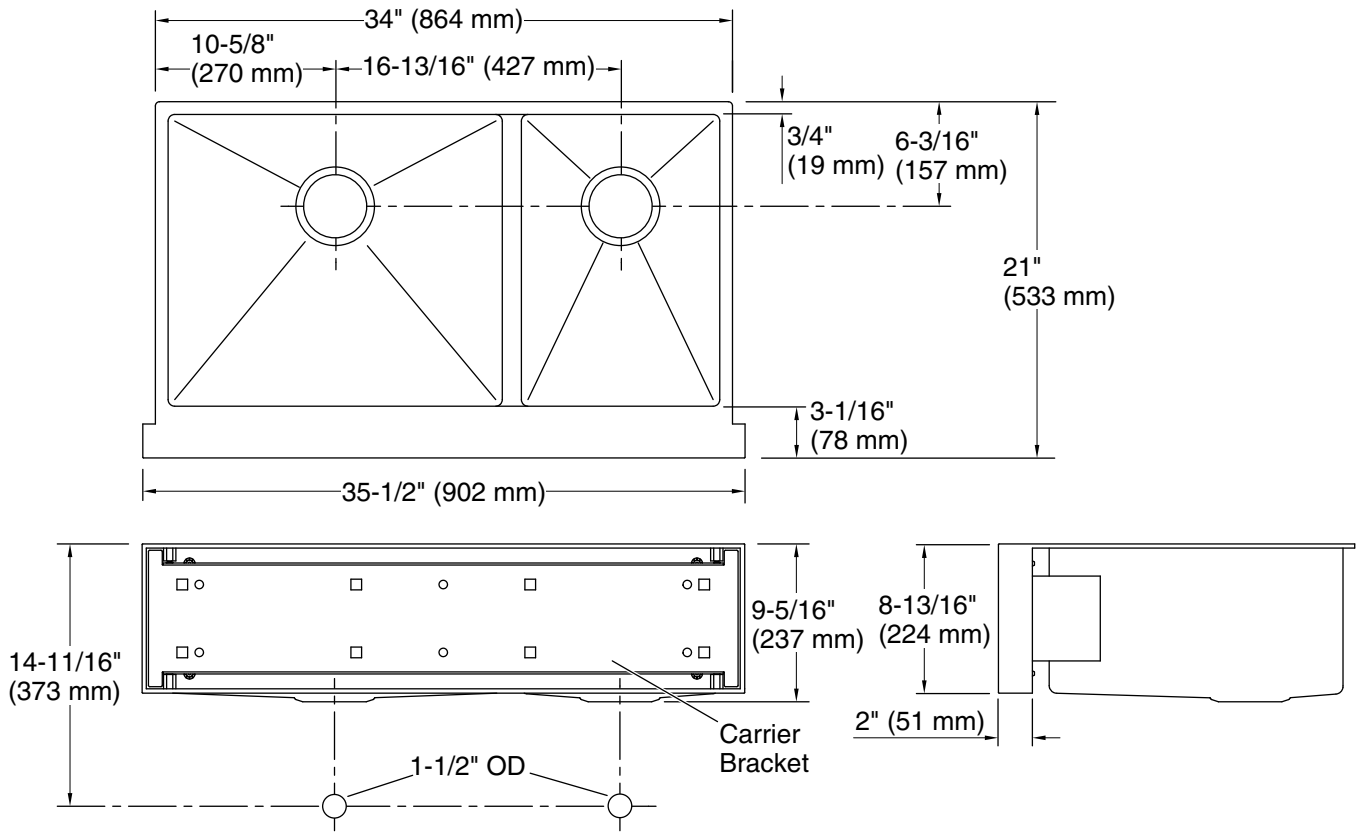


Codes/Standards

ASME A112.19.3/CSA B45.4
IAPMO Certification

KOHLER® Stainless Steel Sinks Lifetime Limited Warranty

See website for detailed warranty information.



Technical Information

All product dimensions are nominal.

Basin configuration: Large Bowl on Left

Min. base cabinet width: 36" (914 mm)

Bowl area (Left): Length: 19-11/16" (500 mm)
Width: 17-3/16" (437 mm)
Bowl depth: 9" (229 mm)
Water depth: 9" (229 mm)

Bowl area (Right): Length: 11-11/16" (297 mm)
Width: 17-3/16" (437 mm)
Bowl depth: 9" (229 mm)
Water depth: 9" (229 mm)

Drain hole: 3-3/4" (94 mm)

Template: Apron-front, 1224194-7, required, included
1358496-7, not required, included

Notes

Install this product according to the installation instructions.

Allow a minimum of 3" (76 mm) clearance for the back 3/4" (19 mm) sink rim flange for clip attachment.

The 3/4" (19 mm) side rim flanges are supported without using the clip attachment. See the installation guide for further instructions.