



Spun Glass®
17-1/2" round vessel bathroom sink, no overflow
K-2276

Features

- Beautifully translucent glass round basin
- No faucet holes; requires wall- or counter-mount faucet
- Without overflow

Material

- Glass

Installation

- Above-counter or drop-in



ADA

OBC

Codes/Standards

CSA B45.11/IAPMO Z401

CSA B45.5/IAPMO Z124

ADA

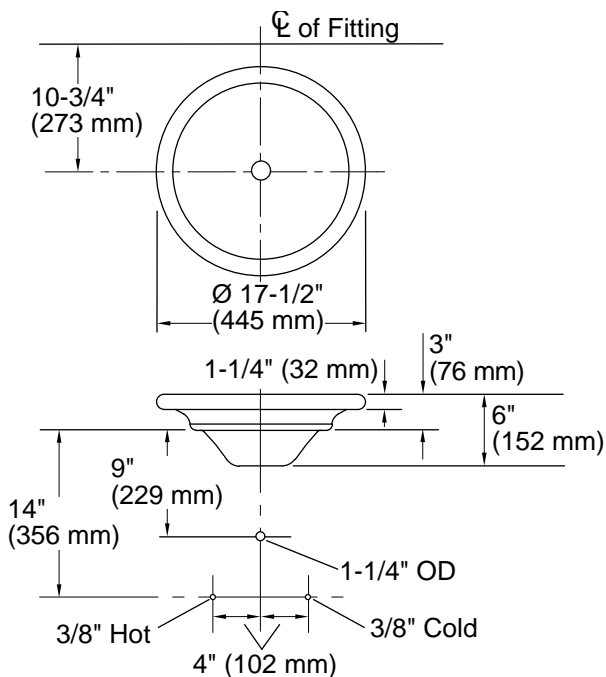
ICC/ANSI A117.1

OBC

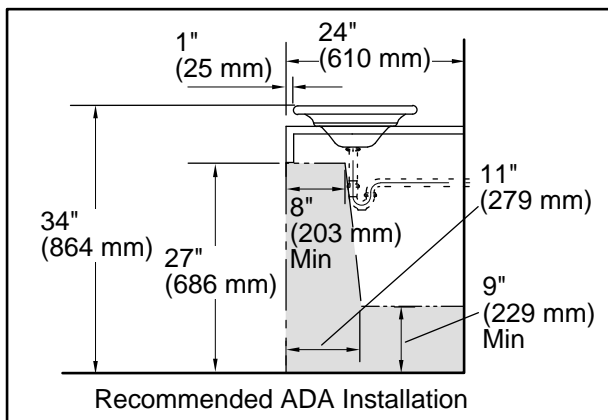
IAPMO Certification

**KOHLER® One-Year Limited
Warranty**

See website for detailed warranty information.



Standard Installation



Recommended ADA Installation

Technical Information

All product dimensions are nominal.

Basin configuration:	Single Bowl
Bowl area (Only):	Length: $15\text{-}1/4"$ (388 mm) Width: $15\text{-}1/4"$ (388 mm) Bowl depth: $5\text{-}1/2"$ (140 mm) Water depth: $5\text{-}1/2"$ (140 mm)
With overflow:	No
Template:	115888-7, required, included

Notes

Install this product according to the installation instructions.

Spout must be $5"$ (127 mm) long (min) for adequate clearance into lavatory when installed with centerline as shown.

Spout must be tall enough to clear $3"$ (76 mm) rim height and provide a $1"$ (25 mm) air gap per ASME A112.1.2.

Diagram is based on the K-9018 P-trap with a $1"$ (25 mm) tailpiece exposed.

ADA, OBC compliant when installed to the specific requirements of these regulations.