

KOHLER®

Cimarron®
The Complete Solution® two-piece elongated toilet,
1.28 gpf
K-22908

Features

- Two-piece design
- Elongated bowl offers added room and comfort
- Comfort Height® feature offers chair-height seating that makes sitting down and standing up easier for most adults
- 1.28 gpf (4.8 lpf)
- 2-1/8" (54 mm) fully glazed trapway
- Left-hand Polished Chrome trip lever
- The Complete Solution toilets provide everything you need, including bowl, tank, seat, wax ring, and hardware
- Cachet® toilet seat features innovative technology that prevents the seat from slamming, and simplifies both cleaning and installation
- Coordinates with other products in the Cimarron collection
- AquaPiston® canister optimizes the flow out of the tank, harnessing gravity and the natural powerful reducing cascade of water to increase the power and effectiveness of the flush
- Easy-to-flush canister design requires less force to actuate than a 3" (76 mm) flapper, and has 90% less exposed seal material which resists conditions that cause wear, tear, shrinkage and swelling
- Eligible for consumer rebates in some municipalities

Installation

- Supply line sold separately
- Standard 12" (305 mm) rough-in
- DryLock™ system saves installation time and helps prevent water leakage
- Floor-mount /floor outlet

Recommended Products/Accessories

K-5588 Purefresh® Deodorizing elongated toilet seat
K-5420 Low-Profile Bolt Caps
K-23726 Drain treatment



ADA

CSA B651

OBC

Codes/Standards

ASME A112.19.2/CSA B45.1
DOE - Energy Policy Act 1992
EPA WaterSense®
California Energy Commission (CEC)
ADA
ICC/ANSI A117.1
CSA B651
OBC
IAPMO Certification

KOHLER® Toilets and Seats Limited Warranty

See website for detailed warranty information.

1-800-4KOHLER (1-800-456-4537)

Kohler Co. reserves the right to make revisions without notice to product specifications.

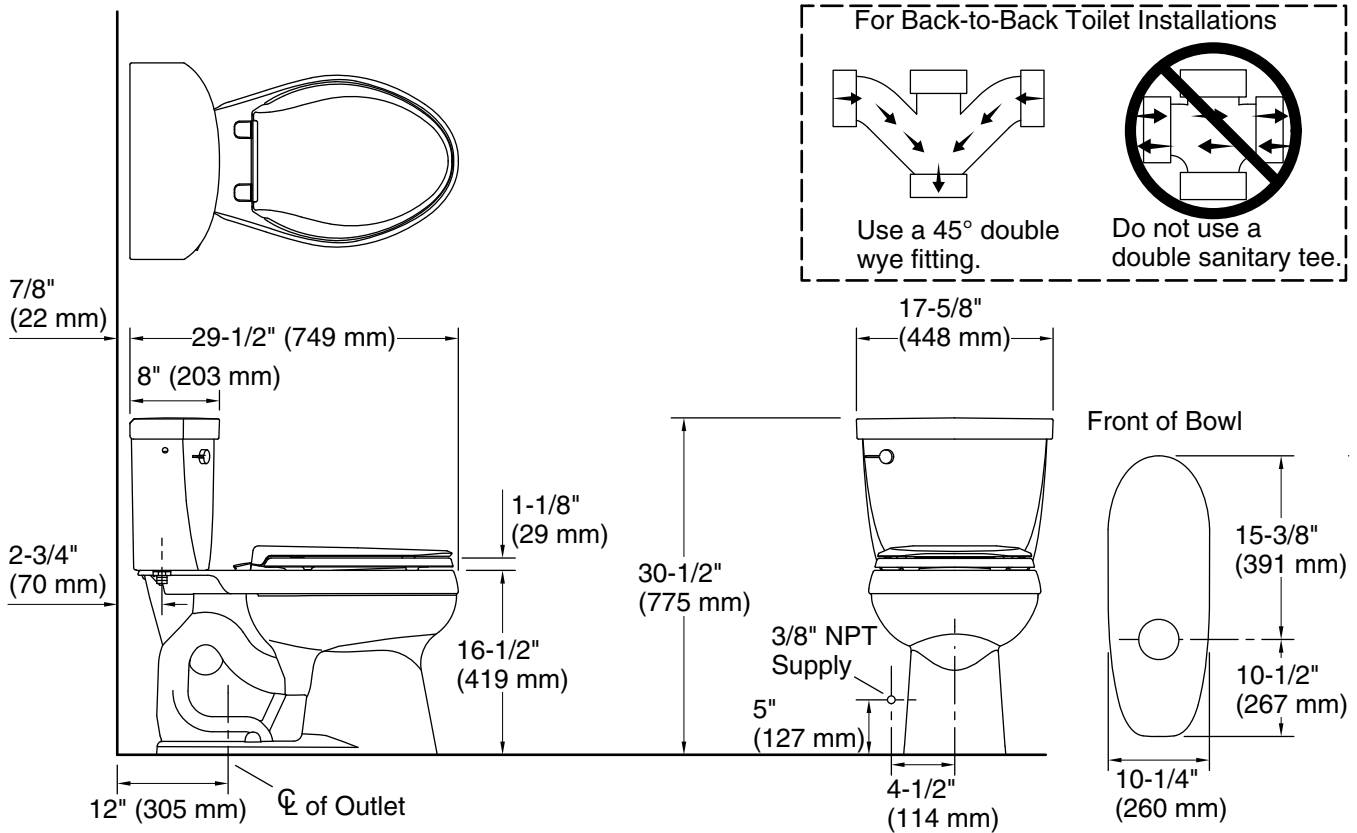
For the most current Specification Sheet, go to www.kohler.com USA or www.kohler.ca Canada

1-29-2025 21:12 - US/CA

THE BOLD LOOK
OF **KOHLER®**

KOHLER®

Cimarron®
 The Complete Solution® two-piece elongated toilet,
 1.28 gpf
K-22908



Technical Information

All product dimensions are nominal.

| | |
|-----------------------|------------------------------------|
| Toilet type: | Floor-mount |
| Bowl shape: | Elongated |
| Flush type: | AquaPiston |
| Trap passageway: | 2-1/8" (54 mm) |
| Water surface size: | 10-1/2" x 7-7/8" (267 mm x 200 mm) |
| Rim to water surface: | 6" (152 mm) |
| Rough-in: | 12" (305 mm) |
| Seat-mounting holes: | 5-1/2" (140 mm) |

Notes

Install this product according to the installation instructions.

NOTE: Product does not include a supply line, as the length needed varies per installation.

For back-to-back toilet installations: Use only a 45° double wye fitting.

This model is acceptable for left-hand Accessible compartment installations only.

ADA, OBC, CSA B651 compliant when installed to the specific requirements of these regulations.

Plumbing codes may require elongated toilets and elongated, open-front seats in public bathrooms.

Accessibility standards may require controls to be located on the open side of the toilet.

1-800-4KOHLER (1-800-456-4537)

Kohler Co. reserves the right to make revisions without notice to product specifications.

For the most current Specification Sheet, go to www.kohler.com USA or www.kohler.ca Canada

1-29-2025 21:12 - US/CA

THE BOLD LOOK
 OF **KOHLER®**