



**Intaglio®**

17" oval drop-in bathroom sink, no overflow  
**K-2292**

**Features**

- Oval basin
- No faucet holes; requires wall- or counter-mount faucet

**Material**

- Vitreous china

**Installation**

- Center drain
- Drop-in

**Recommended Products/Accessories**

- K-9018 P-Trap
- K-23726 Drain treatment
- K-23725 Cast iron cleaner



**ADA**

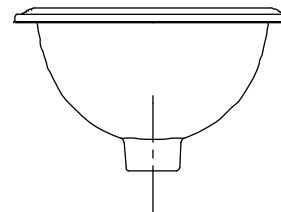
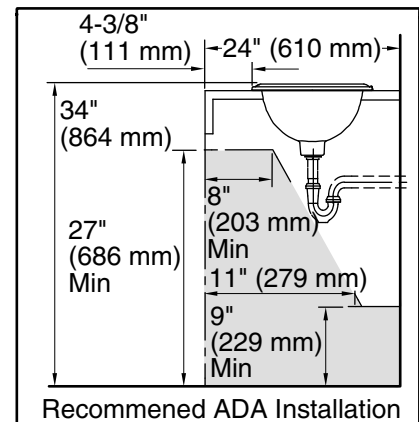
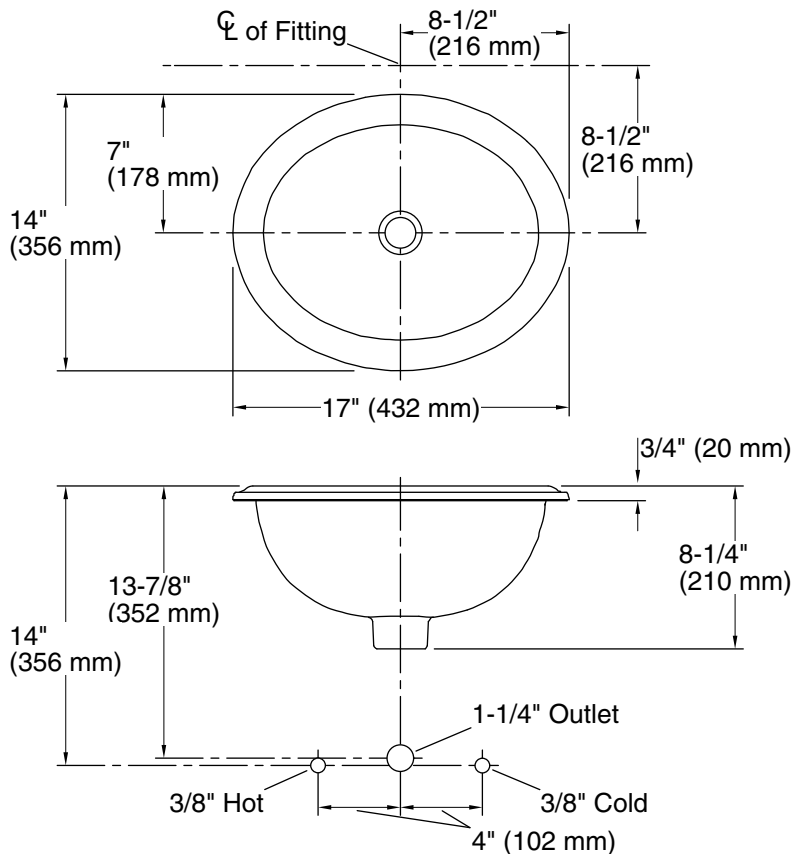
**CSA B651**

**Codes/Standards**

- ASME A112.19.2/CSA B45.1
- ADA
- ICC/ANSI A117.1
- CSA B651

**KOHLER® One-Year Limited  
Warranty**

See website for detailed warranty information.



### Technical Information

All product dimensions are nominal.

Basin configuration:	Single Bowl
Basin area (Only):	Length: 13-7/8" (352 mm)
	Width: 10-7/8" (276 mm)
	Water depth: 6-1/8" (156 mm)
With overflow:	No
Drain hole:	1-3/4" (44 mm)
Template:	116213-7, required, included

### Notes

Install this product according to the installation instructions.

Spout must be 4-1/2" (114 mm) long (min.) for adequate clearance into sink.

NOTICE: Countertop manufacturer or cutter must use the cutout template provided with the product, or a current one provided by Kohler Co. (call 1-800-4-KOHLER). Kohler Co. is not responsible for cutout errors when the incorrect cutout template is used.

ADA, CSA B651 compliant when installed to the specific requirements of these regulations.