



Kathryn®
 24" rectangular undermount bathroom sink with glazed underside
K-2297-G

Features

- Rectangular basin
- Glazed underside works beautifully for countertop installations
- Overflow drain
- No faucet holes; requires wall- or counter-mount faucet
- Coordinates with other products in the Kathryn collection

Material

- Vitreous china

Installation

- Undermount

Recommended Products/Accessories

- K-23726 Drain treatment
- K-23725 Cast iron cleaner

Included Components

- 1193643 Basin clamps



ADA **CSA B651**

Codes/Standards




- ASME A112.19.2/CSA B45.1
- ADA
- ICC/ANSI A117.1
- CSA B651

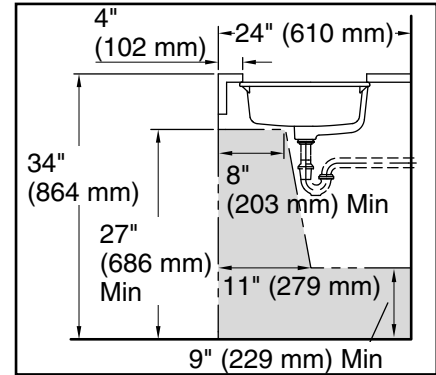
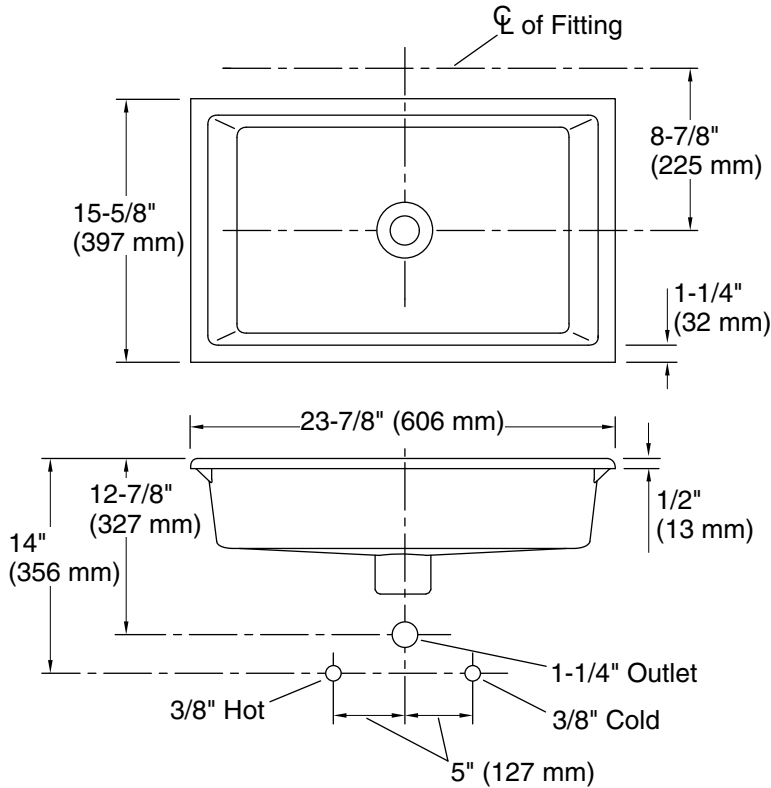
KOHLER® Vitreous China Bathroom Sink Lifetime Limited Warranty

See website for detailed warranty information.

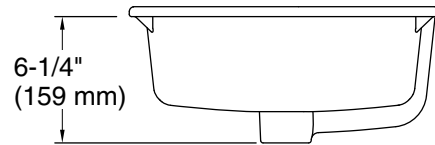
Available Colors/Finishes

Color tiles intended for reference only.

Color	Code	Description
	0	White
	96	Biscuit
	7	Black Black™



Recommended ADA Installation



Technical Information

All product dimensions are nominal.

Basin configuration:	Single Bowl
Basin area (Only):	Length: 21-3/8" (543 mm) Width: 13-1/8" (333 mm) Bowl depth: 4-7/8" (123 mm) Water depth: 3-5/16" (84 mm)
With overflow:	Yes
Drain hole:	1-3/4" (44 mm)
Template:	1241343-7, not required, included

Notes

Install this product according to the installation instructions.

NOTICE: Countertop manufacturer or cutter must use the cut-out template provided with the product, or a current one provided by Kohler Co. (call 1-800-4-KOHLER). Kohler Co. is not responsible for cutout errors when the incorrect cut-out template is used.

Select a faucet with a minimum spout reach of 4-5/8" (117 mm). Refer to the faucet rough-in dimensions to ensure the spout will reach over the bathroom sink rim into the basin.

ADA, CSA B651 compliant when installed to the specific requirements of these regulations.