



Compass®
13-1/4" round drop-in/undermount bathroom sink, no
overflow
K-2298

Features

- Petite round design
- No faucet holes; requires wall- or counter-mount faucet

Material

- Vitreous china

Installation

- Drop-in or undermount

Recommended Products/Accessories

- K-9018 P-Trap
- K-23726 Drain treatment
- K-23725 Cast iron cleaner

Included Components

- 1193643 Basin clamps



ADA

CSA B651

Codes/Standards

ASME A112.19.2/CSA B45.1
ADA
ICC/ANSI A117.1
CSA B651
IAPMO Certification

KOHLER® Vitreous China Bathroom Sink Lifetime Limited Warranty

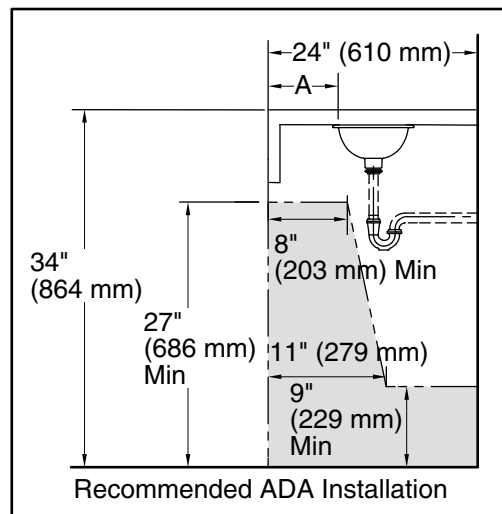
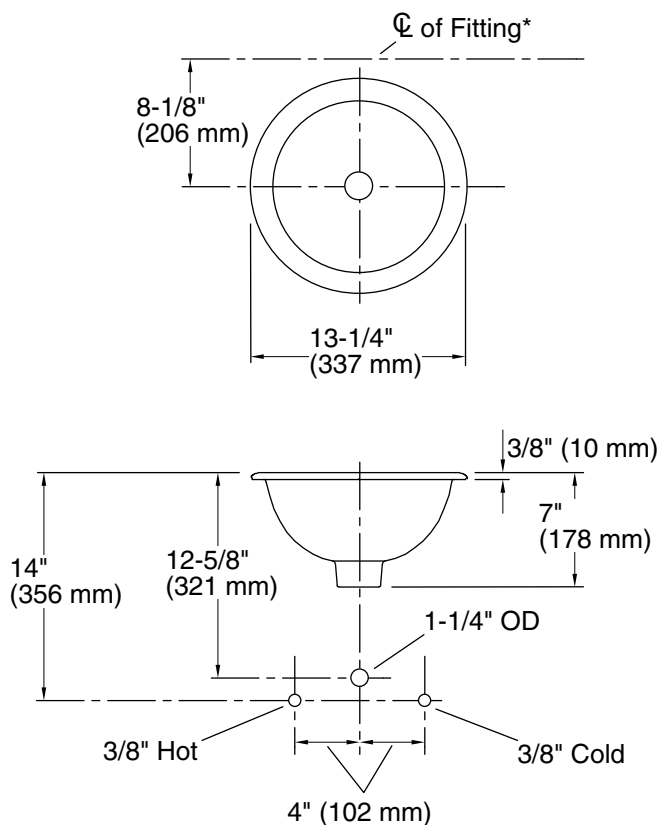
See website for detailed warranty information.

Available Colors/Finishes

Color tiles intended for reference only.

Color Code Description

■ 0 White



	A
Drop-in	4-3/8" (137 mm)
Under-mount (shown)	4-3/8" (137 mm)

Technical Information

All product dimensions are nominal.

Basin configuration: Single Bowl

Bowl area (Only): Length: 10-5/8" (270 mm)
Width: 10-5/8" (270 mm)
Bowl depth: 5" (127 mm)
Water depth: 4-3/4" (121 mm)

With overflow: No

Drain hole: 1-3/4" (44 mm)

Template: 116214-7, required, included

Notes

Install this product according to the installation instructions.

Spout must be a minimum of 4-1/2" (114 mm) long for adequate clearance into bathroom sink.

Supplied basin clamp assembly for under-mount installation requires 1" (25 mm) minimum countertop thickness. Installer must supply hardware for thinner countertops.

ADA, CSA B651 compliant when installed to the specific requirements of these regulations.