

## Features

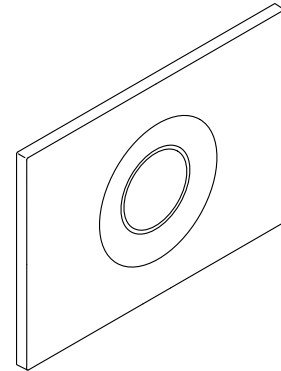
- Touchless technology allows hands-free operation to actuate the flush
- Position-sensitive detection technology ensures accurate flush response, preventing water waste
- Auto-flush technology monitors use and determines if a full or half flush is needed
- Large faceplate is easily removed, allowing access to inner tank and flush valve for service
- LED nightlight provides improved visibility in low-light conditions
- Manual backup flush button in the event of power failure
- Fingerprint-resistant finish stays clean longer
- For use with KOHLER® in-wall tank and carrier system (sold separately)

## Material

- Premium material construction for durability and reliability
- KOHLER finishes resist corrosion and tarnishing

## Installation

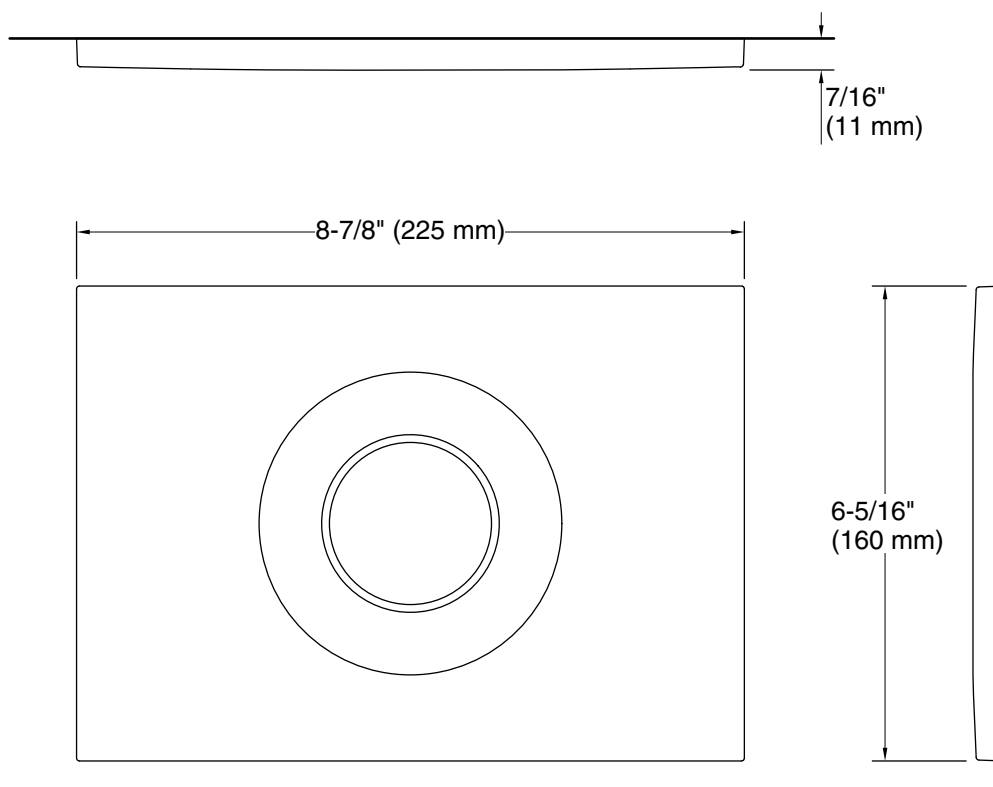
- Requires behind-wall electrical connection
- Includes pneumatic conversion and power conversion kits for in-wall tank



## Codes/Standards

None Applicable

See website for detailed warranty information.



### Technical Information

All product dimensions are nominal.

Material: ABS

### Notes

Install this product according to the installation instructions.