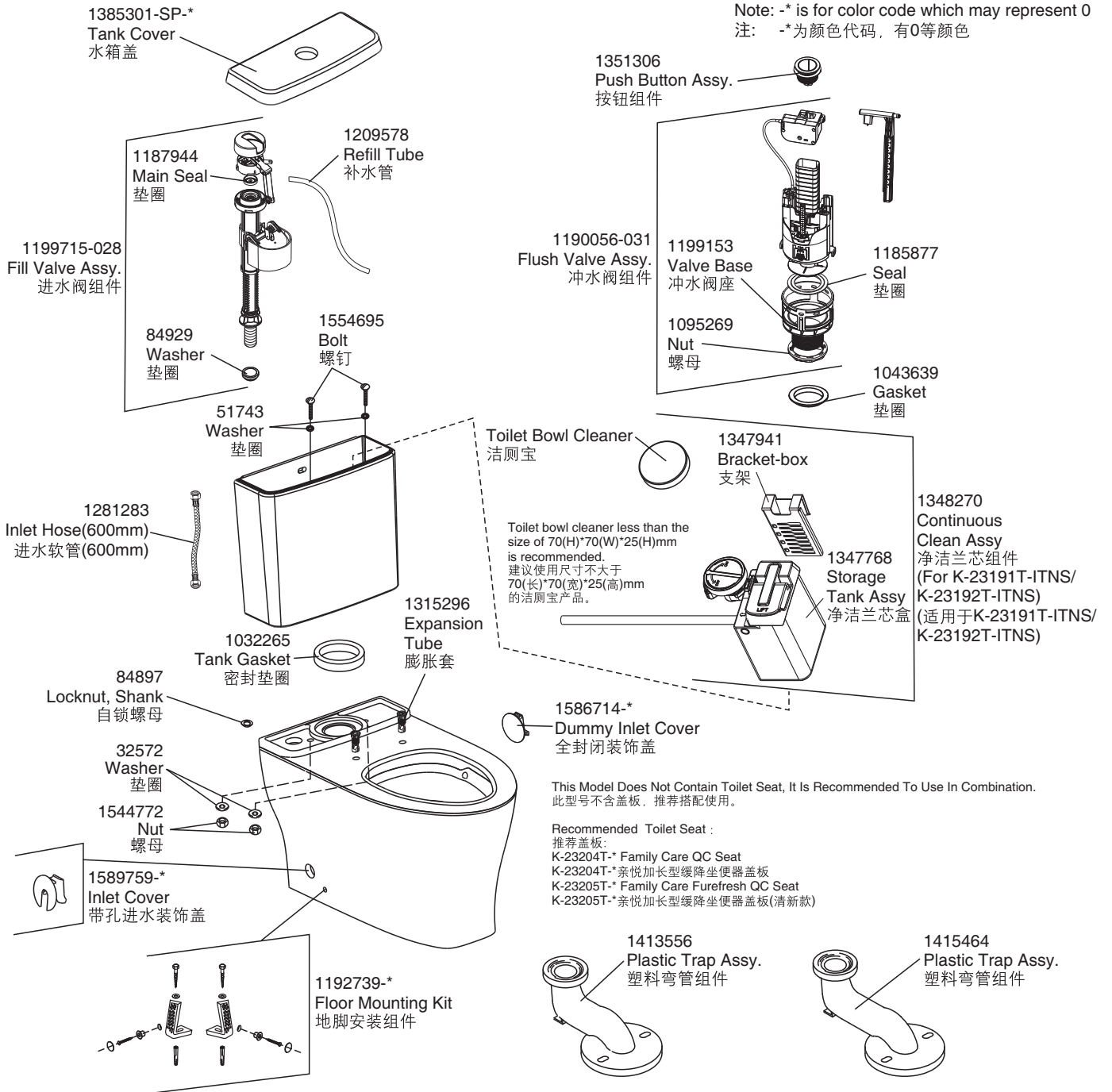


Model 组合型号	K-23191T-NS-*	K-23191T-ITNS-*	K-23192T-NS-*	K-23192T-ITNS-*
Spec 规格	305mm	305mm	400mm	400mm
Tank 水箱	K-23195T-NS3-*	K-23195T-ITNS3-*	K-23195T-NS4-*	K-23195T-ITNS4-*
Bowl 缸体	K-23193T-*	K-23193T-*	K-23194T-*	K-23194T-*
Trap Assy 塑料弯管组件	1413556	1413556	1415464	1415464

Note: -* is for color code which may represent 0
注: -*为颜色代码, 有0等颜色



Color code (-*) or finish (-**) must be specified when ordering.

订购时请说明颜色代码(-*)或表面处理(-**)

Please refer to service parts page packed with seat for detailed seat service parts.

盖板的维修零件请详见盖板的维修零件图。