



Chord®
Vessel bathroom sink
K-2331-1

Features

- Single faucet hole
- Unique shallow basin

Material

- Vitreous china

Installation

- Vessel

Recommended Products/Accessories

- K-9018 P-Trap
- K-23726 Drain treatment
- K-23725 Cast iron cleaner



ADA

CSA B651

OBC

Codes/Standards

ASME A112.19.2/CSA B45.1

ADA

ICC/ANSI A117.1

CSA B651

OBC

IAPMO Certification

**KOHLER® One-Year Limited
Warranty**

See website for detailed warranty information.

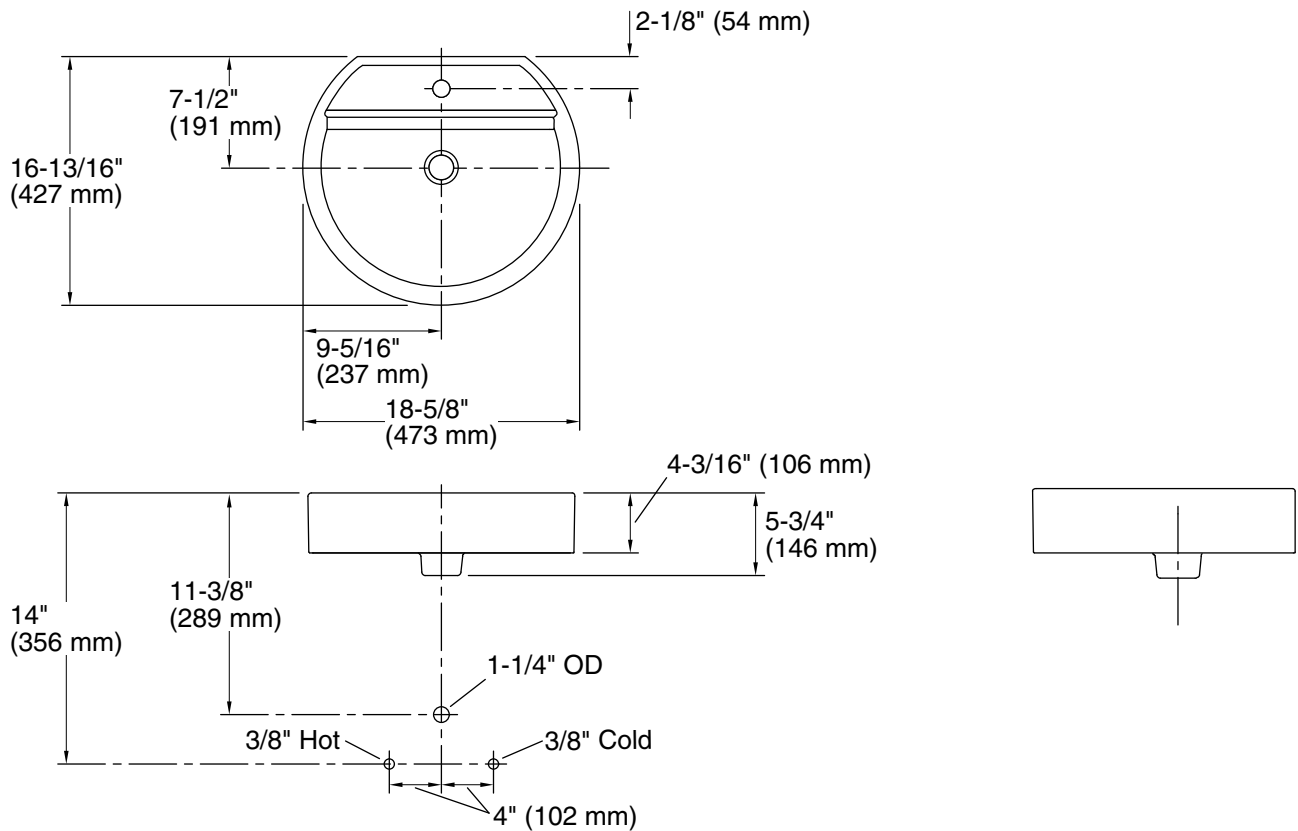
1-800-4KOHLER (1-800-456-4537)

Kohler Co. reserves the right to make revisions without notice to product specifications.

For the most current Specification Sheet, go to www.kohler.com USA or www.kohler.ca Canada

11-2-2024 00:26 - US/CA

THE BOLD LOOK
OF **KOHLER®**



Technical Information

All product dimensions are nominal.

Basin configuration:	Single Bowl
Bowl area (Only):	Length: 17-9/16" (446 mm) Width: 12-3/16" (310 mm) Water depth: 3-3/4" (95 mm)
Number of deck holes:	1
Faucet hole(s):	1-3/8" (35 mm)
Drain hole:	1-3/4" (44 mm)
Template:	1020953-7, required, included

Notes

Install this product according to the installation instructions.

Product does not have an overflow.

Pop-up style drains cannot be used with this bathroom sink.

IMPORTANT! Product rests on a countertop. Consider height of product when designing installation.

NOTICE: The countertop manufacturer or cutter must use the cut-out template provided with the product, or a current cut-out template provided by Kohler (call 1-800-4KOHLER). Kohler is not responsible for errors when incorrect cut-out template is used.

ADA, OBC, CSA B651 compliant when installed to the specific requirements of these regulations.