

### Features

- Refined rectangular basin
- No faucet holes; requires wall- or counter-mount faucet
- Coordinates with other products in the Memoirs collection

### Material

- Vitreous china

### Installation

- Undermount

### Recommended Products/Accessories

K-23726 Drain treatment  
K-23725 Cast iron cleaner

### Included Components

1193643 Basin clamps



ADA

### Codes/Standards









ASME A112.19.2/CSA B45.1  
ADA  
ICC/ANSI A117.1

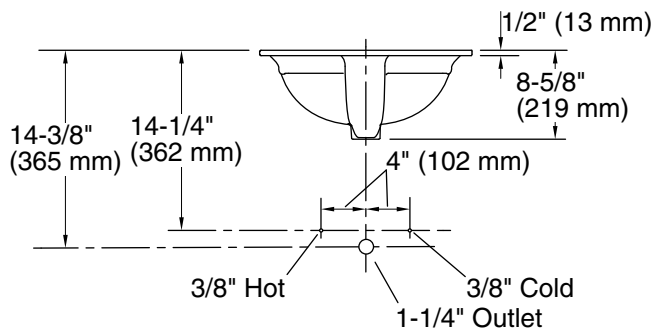
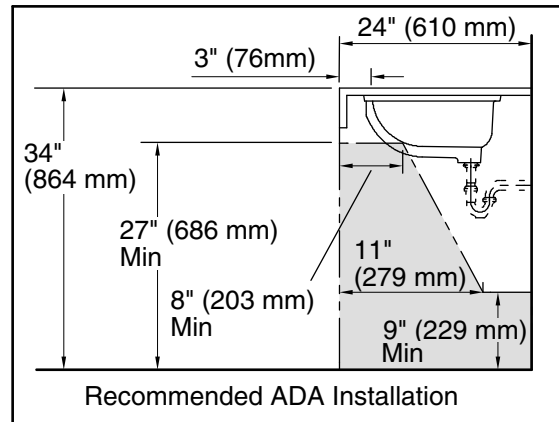
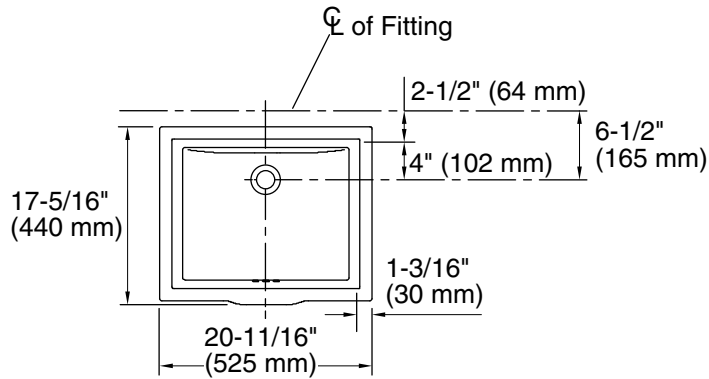
### KOHLER® One-Year Limited Warranty

See website for detailed warranty information.

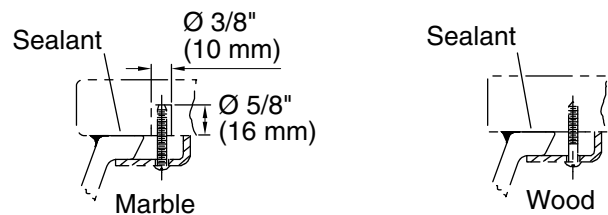
### Available Colors/Finishes

*Color tiles intended for reference only.*

Color	Code	Description
	0	White
	96	Biscuit
	NY	Dune
	95	Ice™ Grey
	58	Thunder™ Grey
	7	Black Black™
	17	Teal
	42	Aspen Green



Standard Installation



Installation

### Technical Information

All product dimensions are nominal.

Basin configuration:	Single Bowl
Bowl area:	Length: 18-7/16" (468 mm)
	Width: 14-13/16" (376 mm)
	Water depth: 5-3/16" (132 mm)
With overflow:	Yes
Drain hole:	1-3/4" (44 mm)
Template:	1031348-7, required, not included

### Notes

Install this product according to the installation instructions.

**NOTICE:** Countertop manufacturer or cutter must use the current product template available at [www.kohler.com](http://www.kohler.com), or by calling 1-800-4KOHLER. Kohler Co. is not responsible for cutout errors when the incorrect cutout template is used.

ADA compliant when installed to the specific requirements of these regulations.