



**Cimarron®**

22-3/4" rectangle drop-in bathroom sink  
**K-2351-1**

**Features**

- Single faucet hole
- Overflow drain
- Coordinates with other products in the Cimarron collection

**Material**

- Vitreous china

**Installation**

- Drop-in

**Recommended Products/Accessories**

- K-8998 P-Trap
- K-23726 Drain treatment
- K-23725 Cast iron cleaner



**Codes/Standards**

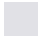


- ASME A112.19.2/CSA B45.1
- ADA
- ICC/ANSI A117.1
- CSA B651
- OBC
- IAPMO Certification

**KOHLER® One-Year Limited Warranty**

See website for detailed warranty information.

**Available Colors/Finishes**

*Color tiles intended for reference only.*

Color	Code	Description
	0	White
	96	Biscuit
	7	Black Black™

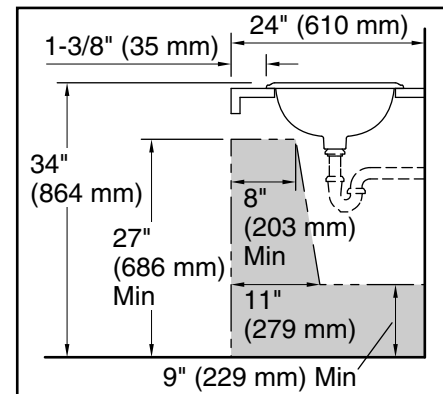
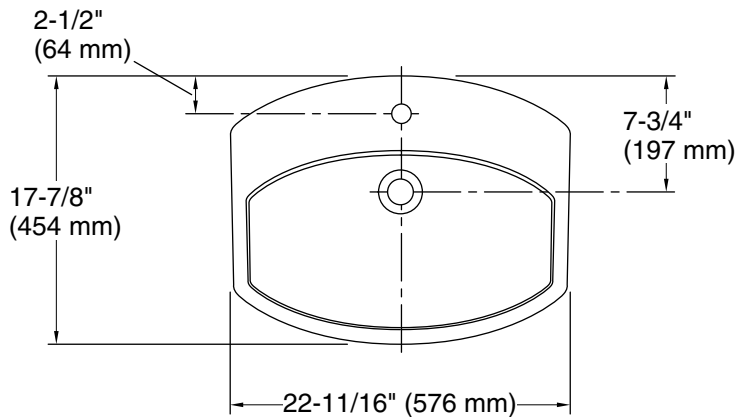
1-800-4KOHLER (1-800-456-4537)

Kohler Co. reserves the right to make revisions without notice to product specifications.

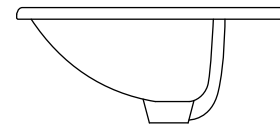
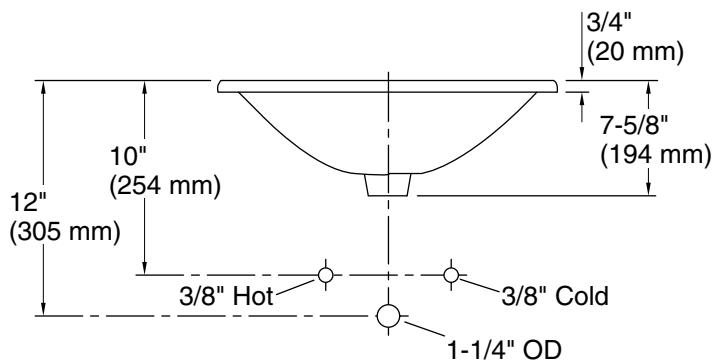
For the most current Specification Sheet, go to [www.kohler.com](http://www.kohler.com) USA or [www.kohler.ca](http://www.kohler.ca) Canada

7-3-2024 20:50 - US





Recommended ADA Installation



## Technical Information

All product dimensions are nominal.

Bowl configuration:	Single
Bowl area (Only):	Length: 20-3/8" (518 mm) Width: 11-1/2" (292 mm) Water depth: 3-5/8" (92 mm)
With overflow:	Yes
Number of deck holes:	1
Faucet hole(s):	1-3/8" (35 mm)
Drain hole:	1-3/4" (44 mm)
Template:	1017302-7, required, included

## Notes

Install this product according to the installation instructions.

**NOTICE:** Countertop manufacturer or cutter must use the cut-out template provided with the product, or a current one provided by Kohler Co. (call 1-800-4KOHLER). Kohler Co. is not responsible for cutout errors when the incorrect cut-out template is used.

ADA, OBC, CSA B651 compliant when installed to the specific requirements of these regulations.