

Features

- Distinctive round spun-glass basin
- No faucet holes; requires wall- or counter-mount faucet
- Glass material provides a strong durable surface that is easy to clean yet visually distinctive
- Fits in or within a standard size countertop and works with a variety of faucet styles

Material

- Glass

Installation

- Undermount

Required Products/Accessories

K-7107 Decorative Drain

or

K-7108 Decorative Drain

or

K-7129 Drain

Recommended Products/Accessories

K-23726 Drain treatment

K-23723 Faucet cleaner

Included Components

52047 Clamp Accessory Pack, 4 Ea.



ADA

Codes/Standards

CSA B45.11/IAPMO Z401

CSA B45.5/IAPMO Z124

ADA

ICC/ANSI A117.1








IAPMO Certification

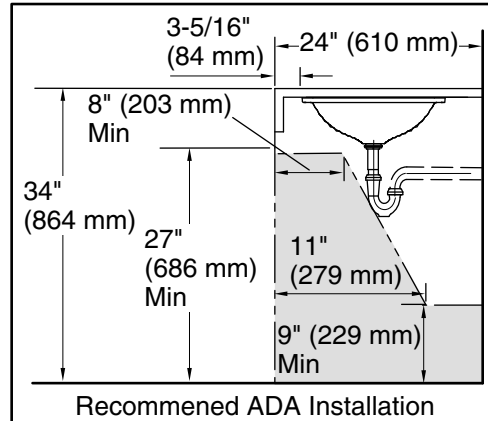
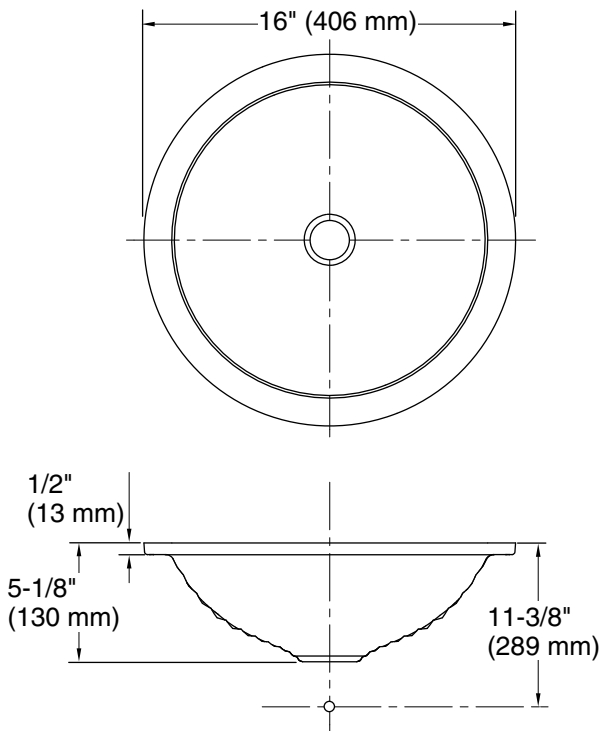
KOHLER® One-Year Limited Warranty

See website for detailed warranty information.

Available Colors/Finishes

Color tiles intended for reference only.

Color	Code	Description
	B11	Ice
	TG3	Translucent Doe
	TG6	Translucent Sapphire
	TG7	Translucent Sandalwood
	TG8	Translucent Stone
	TG1	Translucent Dusk
	TG2	Translucent Dew



Technical Information

All product dimensions are nominal.

- Bowl configuration: Single
- Bowl area (Only): Length: 13-5/8" (345 mm)
Width: 13-5/8" (345 mm)
Bowl depth: 4-1/4" (108 mm)
Water depth: 4-1/4" (108 mm)
- With overflow: No
- Template: 1035896-7, required, included

Notes

Install this product according to the installation instructions.

NOTICE: Countertop manufacturer or cutter must use the cut-out template provided with the product, or a current one provided by Kohler Co. (call 1-800-4-KOHLER). Kohler Co. is not responsible for cutout errors when the incorrect cut-out template is used.

ADA compliant when installed to the specific requirements of these regulations.