

Features

- Single bowl
- 10" (254 mm) depth provides generous workspace
- Three graduated ledges in basin allow you to place accessories at your preferred height
- Accessories stack and slide on ledges for a custom arrangement
- Beveled cone-shape bowl slopes into drain, easily disposing debris
- Works with all standard countertop thicknesses. Pairs best with 30 mm countertop thickness if a flush surface between counter and cutting board is desired
- Secondary sink or primary sink application
- Beveled cone-shape bowl slopes into drain, easily disposing debris
- Includes two durable dishwasher-safe grated racks that provide a convenient shelf for drying, rinsing, and defrosting
- Includes bamboo cutting board, two multipurpose grated racks, colander, and wash bin
- Includes installation hardware
- Sink drain with strainer sold separately
- Also available: Medium size cutting board 10"x16" - covers half the sink



Codes/Standards

ASME A112.19.3/CSA B45.4
IAPMO Certification

KOHLER® Stainless Steel Sinks Lifetime Limited Warranty

See website for detailed warranty information.

Material

- Fabricated 18-gauge stainless steel

Installation

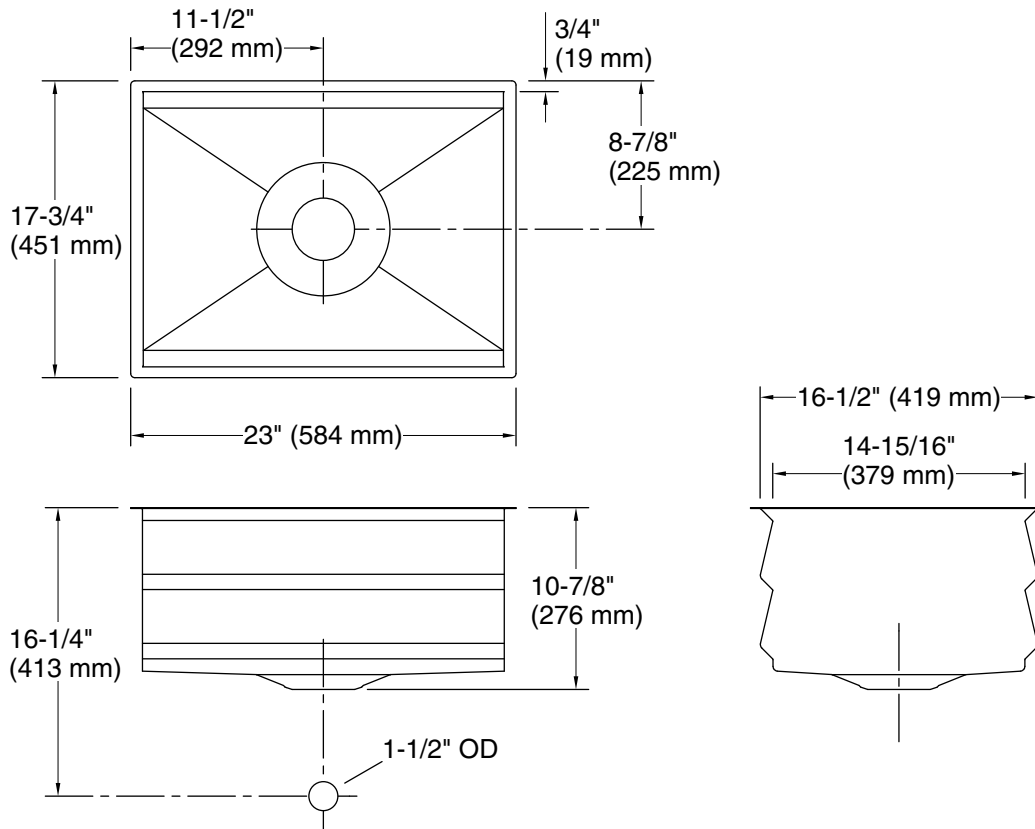
- Undermount
- Minimum base cabinet width: 24"-27" (24" may require cabinet modifications)

Recommended Products/Accessories

K-8801 Sink drain and strainer with tailpiece
K-8799 Sink drain and strainer basket
K-23726 Drain treatment
K-23729 Stainless steel cleaner
K-11352 Disposal Flange with Stopper
K-5541 Bamboo Cutting Board

Included Components

K-23680 Large Bamboo Cutting Board
K-5542 Multipurpose grated rack
K-5544 Colander and wash bin



Technical Information

All product dimensions are nominal.

Basin configuration: Single Bowl

Min. base cabinet width: 24" (610 mm)

Bowl area (Only):
 Length: 21-1/2" (546 mm)
 Width: 14-15/16" (379 mm)
 Bowl depth: 9-15/16" (252 mm)
 Water depth: 9-15/16" (252 mm)

Drain hole: 3-3/4" (94 mm)

Template: Undermount, 1311445-7, required, included

Notes

Install this product according to the installation instructions.

Countertop manufacturer or cutter must use the cut-out template provided with the product, or a current one provided by Kohler Co. (call 1-800-43-FOCUS). Kohler Co. is not responsible for cut-out errors when the incorrect cut-out template is used.