

Features

- Single bowl
- 10" (254 mm) depth provides generous workspace
- Includes bamboo cutting board, two multipurpose grated racks, colander, and wash bin
- Three graduated ledges in basin allow you to place accessories at your preferred height
- Accessories stack and slide on ledges for a custom arrangement
- Medium size cutting board (10"x16") included with sink - covers 1/3 of sink
- Beveled cone-shape bowl slopes into drain, easily disposing debris
- Beveled cone-shape bowl slopes into drain, easily disposing debris
- Sink drain with strainer sold separately

Material

- Fabricated 18-gauge stainless steel

Installation

- Undermount
- Minimum base cabinet width: 30"-33" (30" may require cabinet modifications)

Recommended Products/Accessories

- K-8801 Sink drain and strainer with tailpiece
- K-8799 Sink drain and strainer basket
- K-23726 Drain treatment
- K-23729 Stainless steel cleaner
- K-11352 Disposal Flange with Stopper
- K-23680 Large Bamboo Cutting Board

Included Components

- K-5541 Bamboo Cutting Board
- K-5542 Multipurpose grated rack
- K-5544 Colander and wash bin

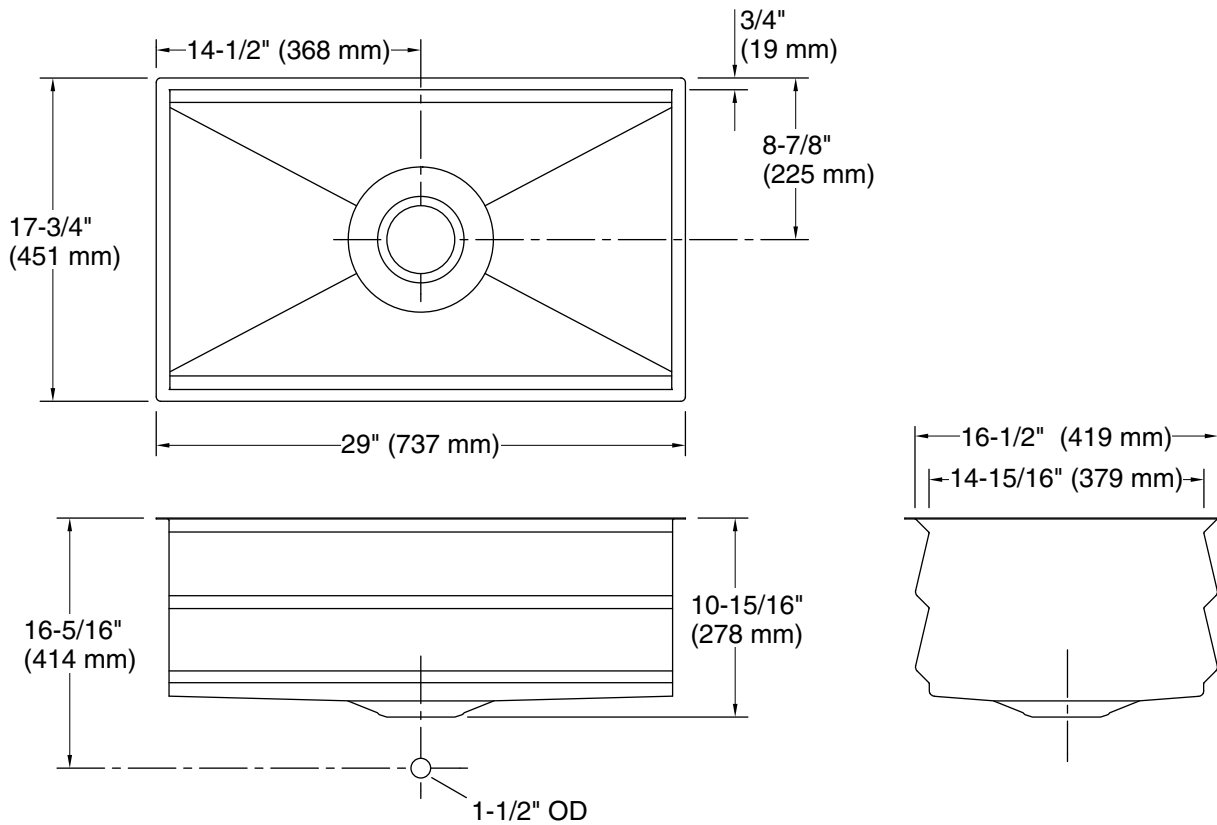


Codes/Standards

ASME A112.19.3/CSA B45.4
IAPMO Certification

KOHLER® Stainless Steel Sinks Lifetime Limited Warranty

See website for detailed warranty information.



Technical Information

All product dimensions are nominal.

Basin configuration: Single Bowl
 Min. base cabinet width: 33" (838 mm)

Bowl area (Only): Length: 27-1/2" (699 mm)
 Width: 14-15/16" (379 mm)
 Bowl depth: 10" (253 mm)
 Water depth: 10" (253 mm)

Drain hole: 3-3/4" (94 mm)

Template: 1311446-7, required, included

Notes

Install this product according to the installation instructions.

Countertop manufacturer or cutter must use the cut-out template provided with the product, or a current one provided by Kohler Co. (call 1-800-43-FOCUS). Kohler Co. is not responsible for cut-out errors when the incorrect cut-out template is used.