

## Features

- Touchless on/off with a wave of your hand or an object such as a pan
- Response® technology uses a state-of-the-art motion sensor for reliable touchless activation
- AC-powered operation—no batteries to replace
- Voice control allows hands-free activation to turn the faucet on or off, pour specific amounts and fill preset measurements.\*
- KOHLER Konnect® pairs with Amazon Alexa and Google Home\*\*
- Innovative sensor monitors water usage and displays that information on the KOHLER Konnect® app
- Notification can be sent to your mobile device when unusual flow of water is detected.\*\*\*
- 2.4 GHz password-protected Wi-Fi connection is required
- Three-function pull-down sprayhead with touch control allows you to switch between aerated stream, Sweep® spray, and Boost technology
- DockNetik® secure docking system locks sprayhead into place when not in use
- ProMotion® technology allows the pull-down sprayhead to swivel for more comfortable use
- MasterClean™ sprayface features an easy-to-clean surface that withstands mineral buildup and maximizes spray performance

## Installation

- Requires nonswitched undercounter outlet
- Single-hole installation (three-hole escutcheon sold separately)
- \*When dispensing measured amounts, minimum of 8 oz. is required; accuracy may vary depending on water pressure and flow rate
- \*\*\*Notification through the KOHLER Konnect® app can advise you when water flow is detected beyond the flow sensor greater than 0.5 gpm for 3 seconds. (Not to be relied upon for water leak detection.)
- Google, Google Home and Google Play are trademarks of Google LLC

## Adapters, Rough-in and Extension Kits

1012715 Range: 1-3/8" (34 mm) - 3-3/8" (85 mm)

## Recommended Products/Accessories

K-24461 Three-hole kitchen faucet escutcheon



ADA

CSA B651

## Codes/Standards






ASME A112.18.1/CSA B125.1  
 NSF/ANSI/CAN 61  
 NSF/ANSI/CAN 372  
 All applicable US Federal and State material regulations  
 DOE - Energy Policy Act 1992  
 California Energy Commission (CEC)  
 ADA  
 ICC/ANSI A117.1  
 CSA B651  
 IAPMO Certification

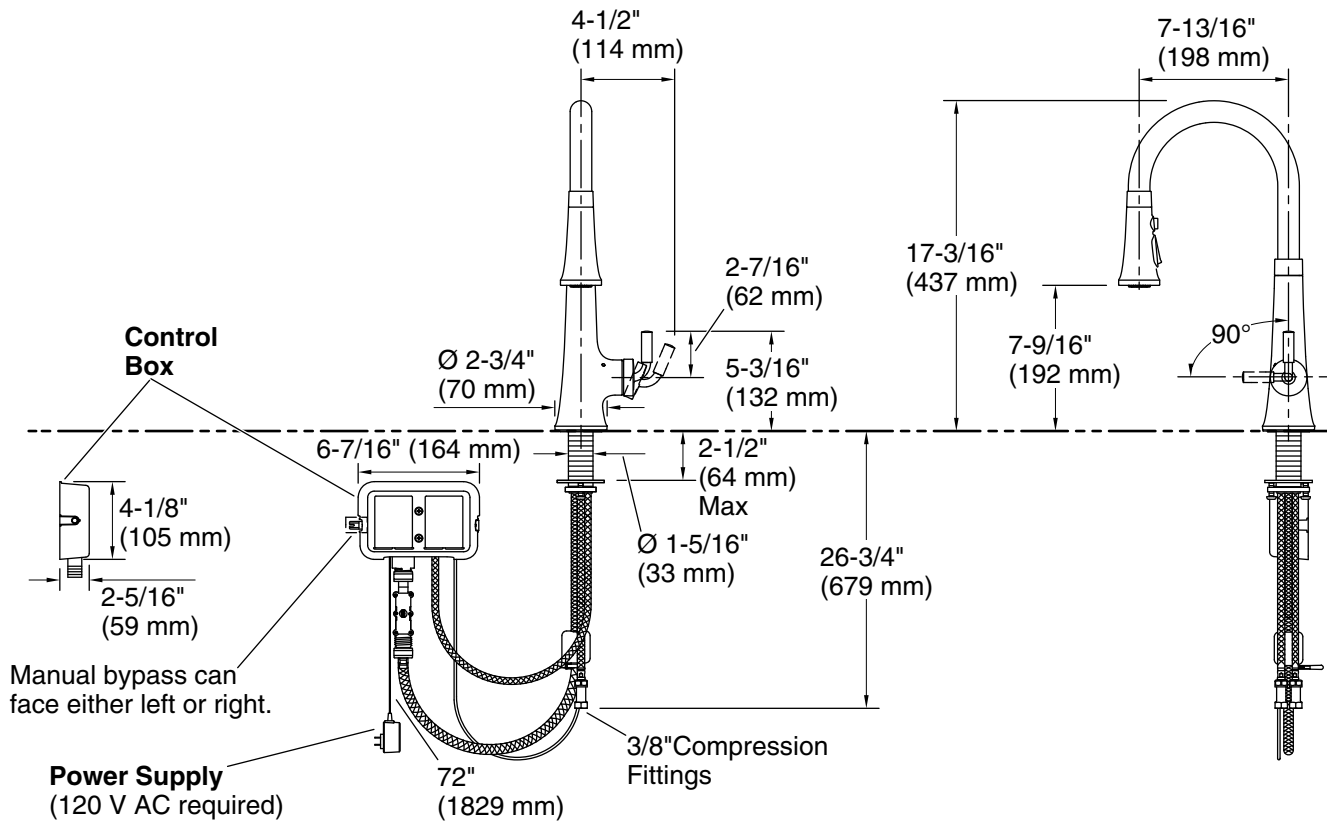
## KOHLER® Electronic Faucets, Valves, and Controls Five-Year Limited Warranty

See website for detailed warranty information.

## Available Colors/Finishes

*Color tiles intended for reference only.*

| Color   | Code | Description                      |
|---|------|----------------------------------|
|  | CP   | Polished Chrome                  |
|  | VS   | Vibrant® Stainless               |
|  | BL   | Matte Black                      |
|  | 2MB  | Vibrant® Brushed Moderne Brass   |
|  | BMB  | Matte Black with Moderne Brass   |
|  | CBL  | Matte Black with Polished Chrome |



### Required Electrical Service

One circuit required, protected with Class A Ground-Fault Circuit-Interrupter (GFCI). Outside North America, this device may be known as a Residual Current Device (RCD).

120 V

### Technical Information

All product dimensions are nominal.

Power source: Plug - AC, included

#### Faucet:

Flow rate: 1.5 gal/min (5.7 l/min)

Drain included: No

#### Spout:

Spout reach: 7-3/4" (198 mm)

### Notes

Install this product according to the installation instructions.

ADA compliant for faucet handles only

ADA, CSA B651 compliant when installed to the specific requirements of these regulations.