



Kelston®
Drop-in Bathroom Sink
K-2381-8

Features

- 8" (203 mm) widespread faucet holes
- Overflow drain
- Coordinates with other products in the Kelston collection

Material

- Vitreous china

Installation

- Drop-in

Recommended Products/Accessories

- K-8998 P-Trap
- K-23726 Drain treatment
- K-23725 Cast iron cleaner



ADA

CSA B651

Codes/Standards

ASME A112.19.2/CSA B45.1

ADA

ICC/ANSI A117.1

CSA B651

IAPMO Certification

**KOHLER® One-Year Limited
Warranty**

See website for detailed warranty information.

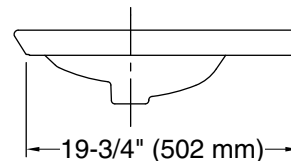
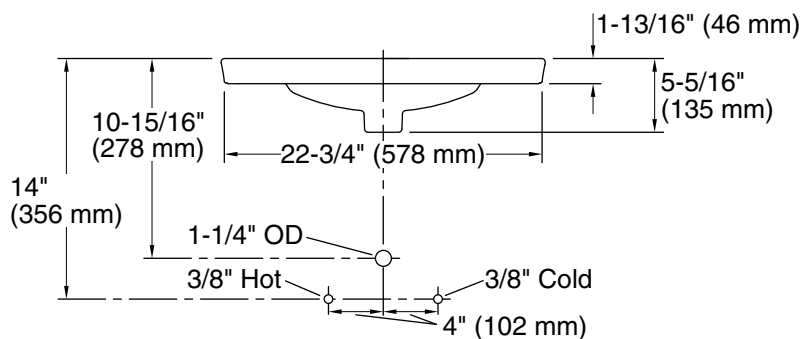
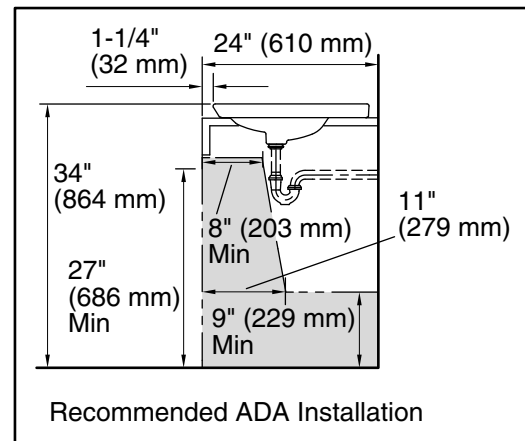
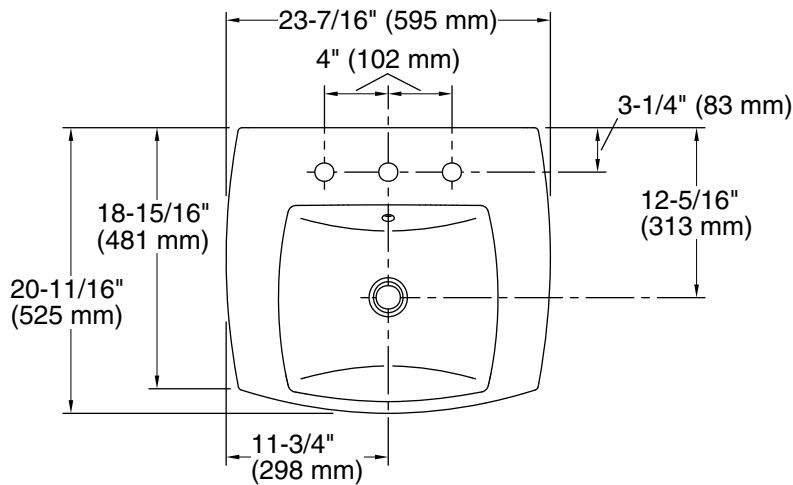
1-800-4KOHLER (1-800-456-4537)

Kohler Co. reserves the right to make revisions without notice to product specifications.

For the most current Specification Sheet, go to www.kohler.com USA or www.kohler.ca Canada

1-24-2025 21:59 - US/CA

THE BOLD LOOK
OF **KOHLER®**



Technical Information

All product dimensions are nominal.

Basin configuration:	Single Bowl
Basin area (Only):	Length: 15-3/8" (391 mm) Width: 13-3/16" (335 mm) Water depth: 1-7/8" (48 mm)
Number of deck holes:	3
Faucet hole(s):	1-3/8" (35 mm)
Drain hole:	1-3/4" (44 mm)
Template:	1081943-7, required, included

Notes

Install this product according to the installation instructions.

When installing with the K-2515 petite vanity, refer to the installation guide packed with the vanity.

NOTICE: Countertop manufacturer or cutter must use the cut-out template provided with the product, or a current one provided by Kohler Co. (call 1-800-4KOHLER). Kohler Co. is not responsible for cutout errors when the incorrect cut-out template is used.

ADA, CSA B651 compliant when installed to the specific requirements of these regulations.