

# KOHLER<sup>®</sup> Faucets

Tall bathroom sink faucet spout with Row design, 4.5 lpm  
**K-23887T**

## Features

- 6-11/16" (170 mm) spout reach
- 10-1/16" (255 mm) spout height
- 1.2 gpm (4.5 lpm) maximum flow rate at 45 psi (3.1 bar)
- Laminar flow delivers a graceful stream of water
- Includes drain
- Coordinates with Components faucets, accessories, and showering components to complete your bathroom
- For use with Components™ Lever, Oyl, or Industrial faucet handles (sold separately)

## Material

- Premium metal construction for durability and reliability
- KOHLER<sup>®</sup> finishes resist corrosion and tarnishing

## Installation

- Deck-mount
- G 1/2 inlet connection

## Required Products/Accessories

K-77974-4 Lever bathroom sink faucet handles

or

K-77974-8 Oyl bathroom sink faucet handles

or

K-77974-9 Industrial bathroom sink faucet handles

or

K-77963-8A Rocker bathroom sink faucet handle

## Recommended Products/Accessories

K-23726 Drain treatment

K-23723 Faucet cleaner



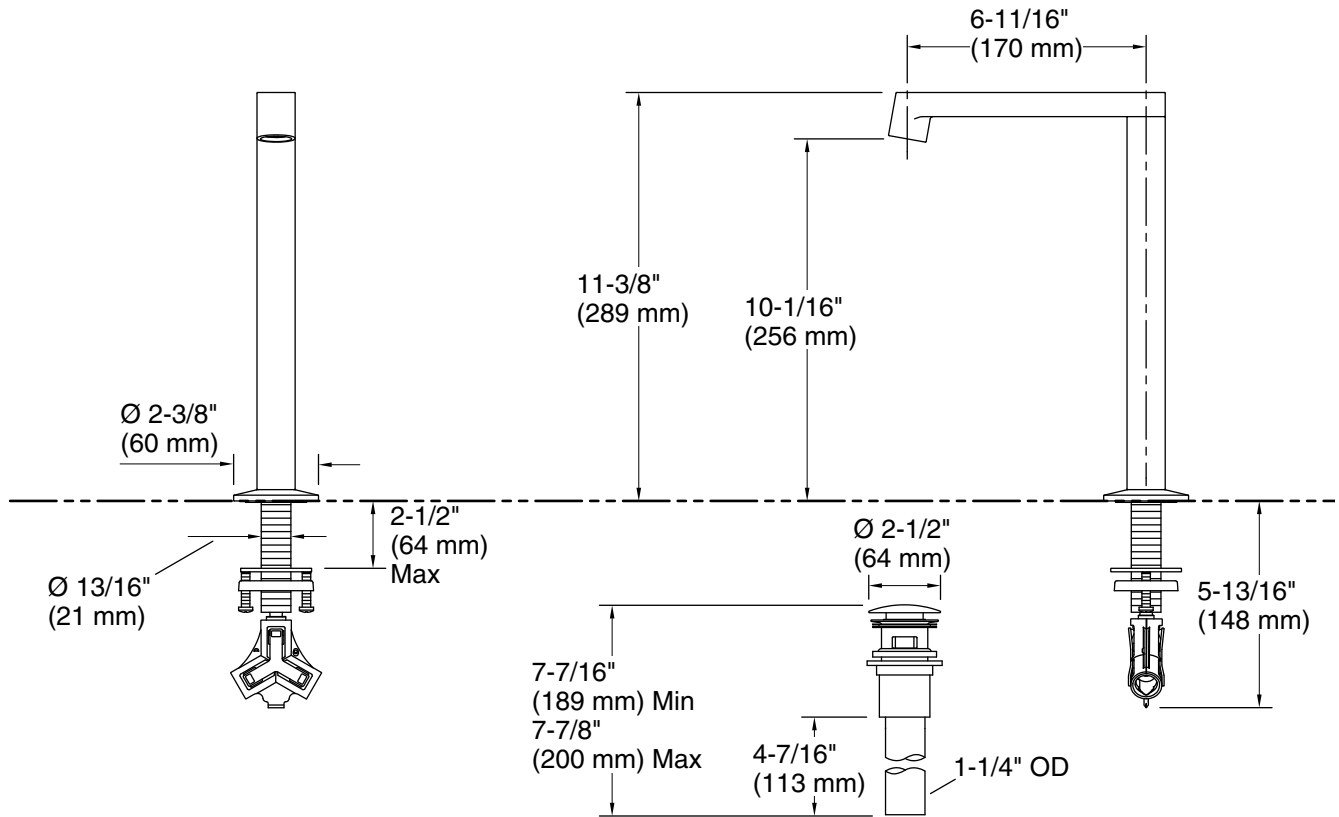
## Codes/Standards

Plumbing Standards  
GB 18145

See website for detailed warranty information.

# KOHLER Faucets™

Tall bathroom sink faucet spout with Row design, 4.5 lpm  
**K-23887T**



## Technical Information

All product dimensions are nominal.

### Faucet:

Flow rate: 12 gal/min (45.4 l/min)  
 Drain included: Yes  
 Drain with overflow: Yes

## Notes

Install this product according to the installation instructions.