



**Stargaze®**  
60" x 34" freestanding bath with Bask® heated surface  
and straight shroud  
**K-24010-W1**

**Features**

- Three heat settings allow you to customize the surface temperature
- Freestanding design creates a striking focal point in your bathing area
- Integral lumbar support on both ends
- 16" (406 mm) depth offers a deep soaking experience
- Wide deck along one side simplifies installation and provides support for getting in and out of bath
- Straight shroud
- Textured bottom surface

**Material**

- Acrylic

**Installation**

- Center drain
- Freestanding

**Required Products/Accessories**

K-T37391 Rotary-turn bath drain trim  
K-T37392 Rotary-turn bath drain trim

or

K-78438 30" cable bath drain

**Recommended Products/Accessories**

K-T37393 Traditional rotary-turn bath drain trim  
K-T37395 Bath drain trim  
K-T37396 Traditional push-button bath drain trim  
K-7265 Brass toe tap bath drain  
K-23726 Drain treatment  
K-23732 Tub & shower cleaner



**Codes/Standards**

IAPMO Certification  
cUL Listed  
UL Listed

**KOHLER® Hydrotherapy  
Components Five-Year Limited  
Warranty**

See website for detailed warranty information.

**Available Colors/Finishes**

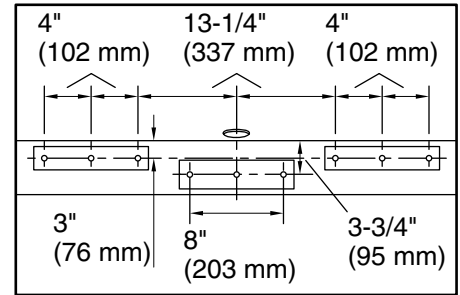
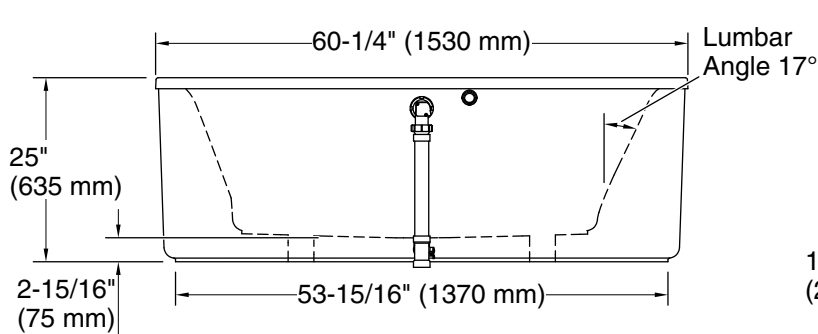
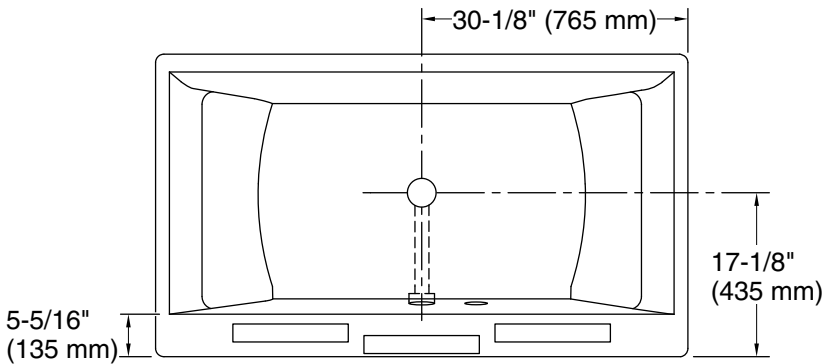
*Color tiles intended for reference only.*

**Color Code Description**

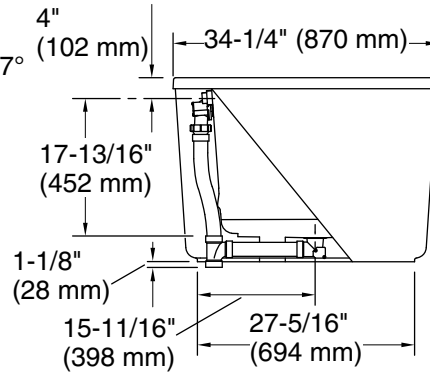
	0	White
---	---	-------

No change in measurements if connected with drain illustrated. (K-37386)

□ Recommended Faucet Location



Recommended Faucet Hole Location



### Required Electrical Service

One circuit required, protected with Class A Ground-Fault Circuit-Interrupter (GFCI). Outside North America, this device may be known as a Residual Current Device (RCD).

Heated Surface: 120 V, 15 A, 60 Hz

### Technical Information

All product dimensions are nominal.

Drain location: Center

Basin area, bottom: 40-5/16" x 22-1/2" (1024 mm x 572 mm)

Basin area, top: 49-3/8" x 25-7/8" (1254 mm x 657 mm)

Weight: 156 lbs (70.8 kg)

Minimum floor load: 54 lbs/ft<sup>2</sup> (263.7 kg/m<sup>2</sup>)

Water depth: 16-1/16" (408 mm)

Water capacity: 60 gal (227.1 L)

Template: 1364289, not required, not included

Electrical component rating: Heated Surface: 120 V, 0.5 A, 50/60 Hz, 65 W

### Notes

Measure your actual product for rough-in details.

Install this product according to the installation instructions.

The hot water supply should be 70% of the capacity of the bath or greater. Installations will vary.

If installing a rim-mount faucet, make sure there is no interference above or below the deck before drilling any holes.