



Border®
ReadyLatch® Quiet-Close™ round-front toilet seat with
antimicrobial agent
K-24494-A

Features

- Grip-Tight installation hardware makes it easy to fasten the seat – everything is done from above the bowl
- ReadyLatch® hinge provides a positive lock/unlock latch to securely hold seat in position, yet seat easily removes for cleaning or adjusting fit
- Grip-Tight bumpers hold seat firmly in place
- Quiet-Close™ round-front lid and seat prevents slamming
- Round closed-front seat
- Contoured seat for user comfort
- Antimicrobial agent inhibits growth of odor-causing bacteria, mold, and mildew. This product does not protect users against bacteria, viruses, or other disease organisms. Always clean and wash this product thoroughly before and after each use

Material

- Plastic construction



Codes/Standards



None Applicable

KOHLER® One-Year Limited Warranty

See website for detailed warranty information.

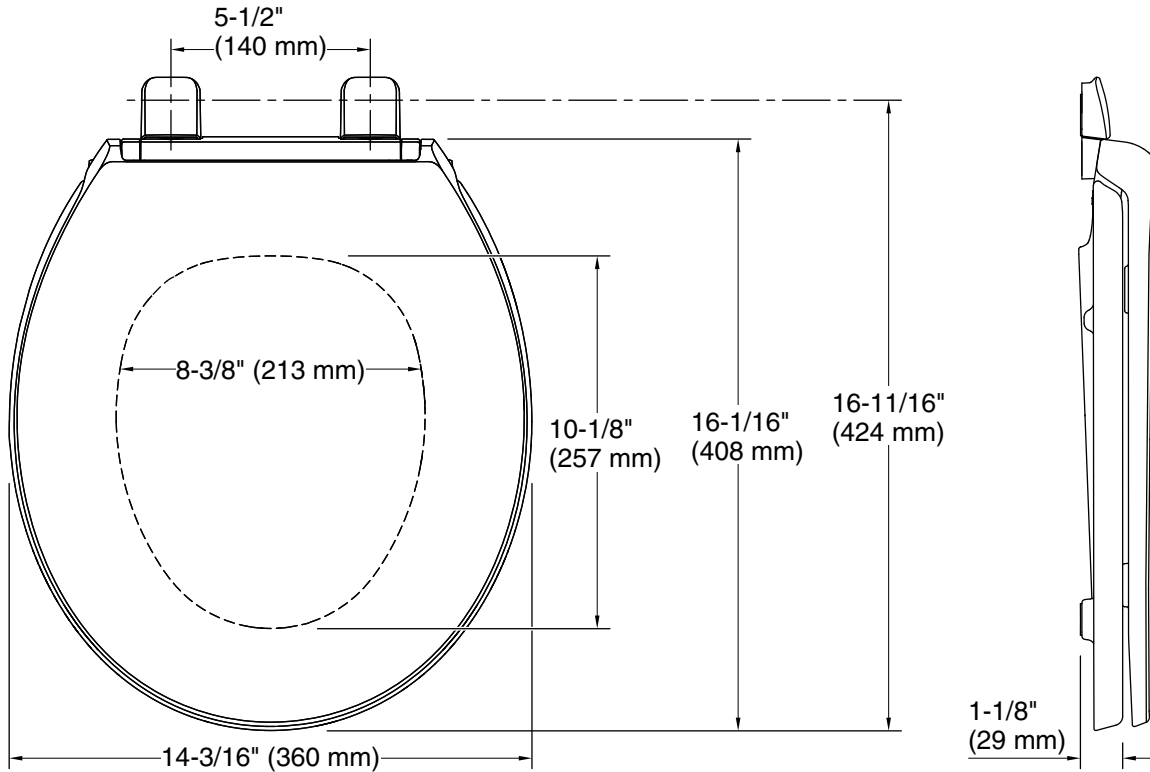
Available Colors/Finishes

Color tiles intended for reference only.

Color	Code	Description
	0	White
	96	Biscuit



Border®
ReadyLatch® Quiet-Close™ round-front toilet seat with
antimicrobial agent
K-24494-A



Technical Information

All product dimensions are nominal.

- Seat shape type: Round-front
Seat front type: Closed-front
Seat-mounting holes: 5-1/2" (140 mm)

Notes

Install this product according to the installation instructions.