

Features

- Fragrance-free/dye-free formula
- Effective general purpose hand soap
- Contains aloe vera and vitamin E to help nourish the skin
- UL ECOLOGO® certified
- pH at 25°C is 6.5 Typical
- Viscosity at 25°C is 5 cps
- Single-use refill for 800 mL reservoir ensures utmost hygiene
- For product safety information, refer to the Safety Data Sheet (SDS) on <https://www.kohler.com/en/support/help-and-faq/safety-data-sheets-sds-for-kohler-products>
- Contains six foam soap units/case



PRODUCT CERTIFIED
FOR REDUCED
ENVIRONMENTAL
IMPACT. VIEW SPECIFIC
ATTRIBUTES EVALUATED:
UL.COM/EL
UL 2784 - Hand Cleaners

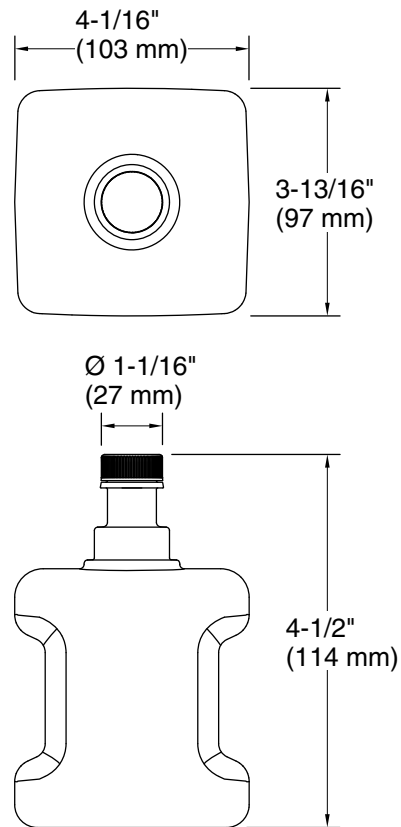


Codes/Standards

None Applicable

Returnable 45 Days after Purchase

See website for detailed warranty information.



Technical Information

All product dimensions are nominal.

Material: Plastic