

K-24916

Wireless music kit

Features

- Streams music by pairing with your smart phone, tablet, iPod, or other device enabled with BLUETOOTH® wireless technology
- Play music in the bathroom while taking a bath or getting ready to go out
- Complete installation package that includes two speakers with wiring, amplifier, adhesive and instructions
- Wireless Music Kit is listed as a recommended accessory or upgrade, both on Kohler.com and on bath specification sheets, for compatible KOHLER rectangle or oval shaped acrylic bath models
- Syncs with devices enabled with BLUETOOTH® wireless technology including smartphones, MP3 players, tablets, and laptops located up to 33 feet (10 meters) away



Codes/Standards

None Applicable

Recommended Products/Accessories

K-23723 Faucet cleaner

Required Electrical Service

One circuit required, protected with Class A Ground-Fault Circuit-Interrupter (GFCI). Outside North America, this device may be known as a Residual Current Device (RCD).

120 V, 15 A, 60 Hz

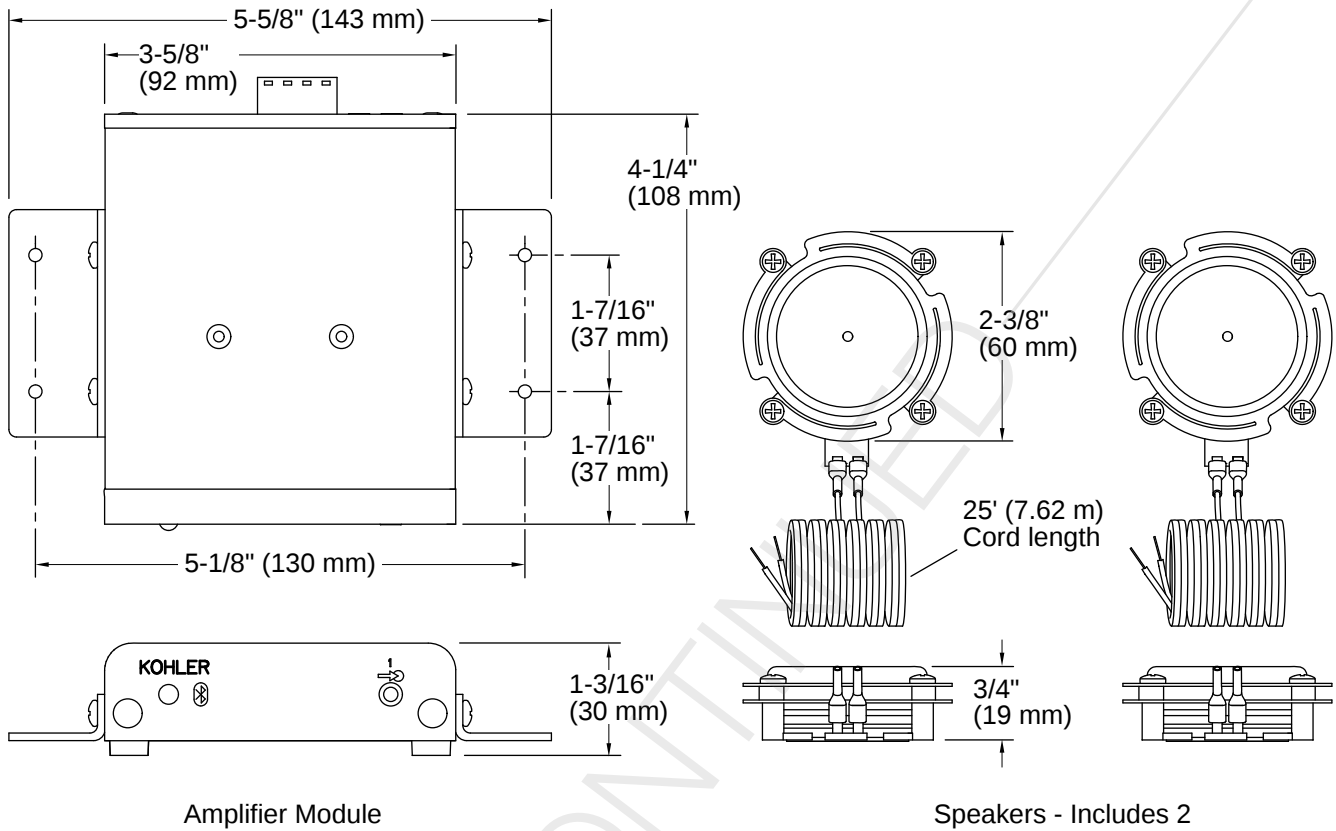
Warranty

See website for detailed warranty information.

KOHLER® One-Year Limited Warranty

DISCONTINUED





Installation

- Music system utilizes 120V plug
- This accessory is not factory-installed and is designed to be retrofitted onto new baths in the field prior to the bath installation
- Compatibility requirement: This accessory can be installed onto new installations of acrylic baths, as long as access to wireless music kit components will be available after the installation of the bath. This product is not compatible with baths that are already installed, or integral apron soaking baths without an access panel
- 120 V service

Installation Notes

Install this product according to the installation instructions.

This product is intended for new bath installations only.
CAUTION: Risk of product damage. Do not install near heat sources (such as radiators or heat registers) or in any location where the temperature may exceed 104°F (40°C).
 This product is not water-resistant. Do not install in a location where excessive moisture, high humidity levels, or condensation are present.
 Provide a minimum of 6" (152 mm) of space around the amplifier for proper air flow.
 Provide unrestricted service access to the amplifier.
 Locate the amplifier within close proximity to a 15 A 120 V electrical outlet. A GFCI outlet may be required in certain applications.

