

Features

- Blow-out flush action
- 3/4" (19 mm) rear spud
- Uses 0.5 to 1.0 gallons per flush

Material

- Vitreous china

Installation

- Replaces K-4972-ER
- Note: If urinal is being purchased as a retrofit for K-4972, a 3/4" valve tailpiece is also required; existing 1-1/4" valve tailpiece is not compatible

Recommended Products/Accessories

- K-23726 Drain treatment
- K-23725 Cast iron cleaner



ADA

OBC

Codes/Standards

ASME A112.19.2/CSA B45.1
DOE - Energy Policy Act 1992
EPA WaterSense®
ADA
ICC/ANSI A117.1
OBC
IAPMO Certification


KOHLER® One-Year Limited Warranty

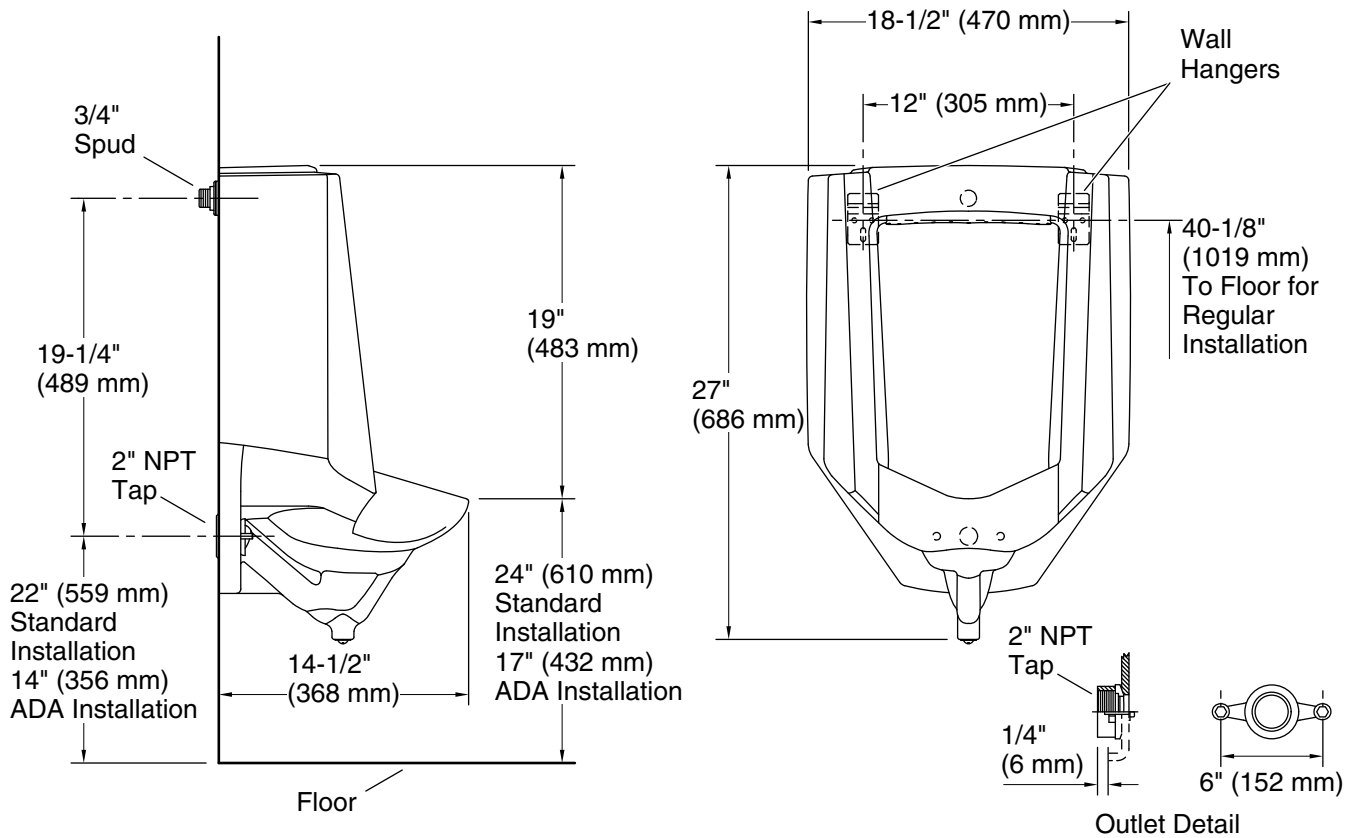
See website for detailed warranty information.

Available Colors/Finishes

Color tiles intended for reference only.

Color	Code	Description
-------	------	-------------

	0	White
---	---	-------



Technical Information

All product dimensions are nominal.

Spud size:	Rear
Min. Water per Flush:	0.5 gpf (1 lpf)
Max. Water per Flush:	1 gpf (3.8 lpf)

Designed for the above water use when installed with a water-saving flushometer.

Pressure and Supply Requirements

Fixture pressure min (static):	25 psi (172.4 kPa)
Fixture pressure max (static):	80 psi (551.6 kPa)

Notes

Install this product according to the installation instructions.

Refer to manufacturer's instructions and local codes for flushometer requirements.

ADA, OBC compliant when installed to the specific requirements of these regulations.