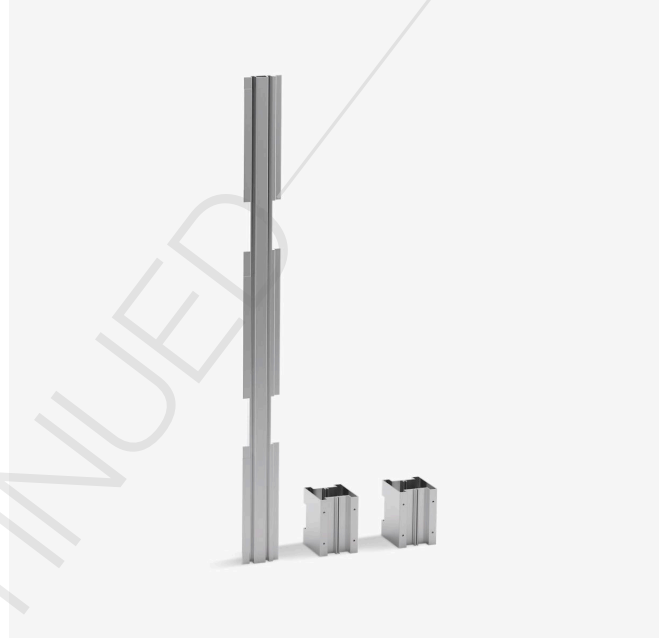


Verdera® | K-25064

Medicine cabinet joining kit

Features

- Joins together medicine cabinets to increase horizontal size
- For use with all 30" H Verdera medicine cabinets (lighted and nonlighted)
- One kit joins two medicine cabinets



Codes/Standards

None Applicable

Material

- Anodized aluminum construction with a durable rustproof and chip-resistant finish
-

Recommended Products/Accessories

K-23723 Faucet cleaner

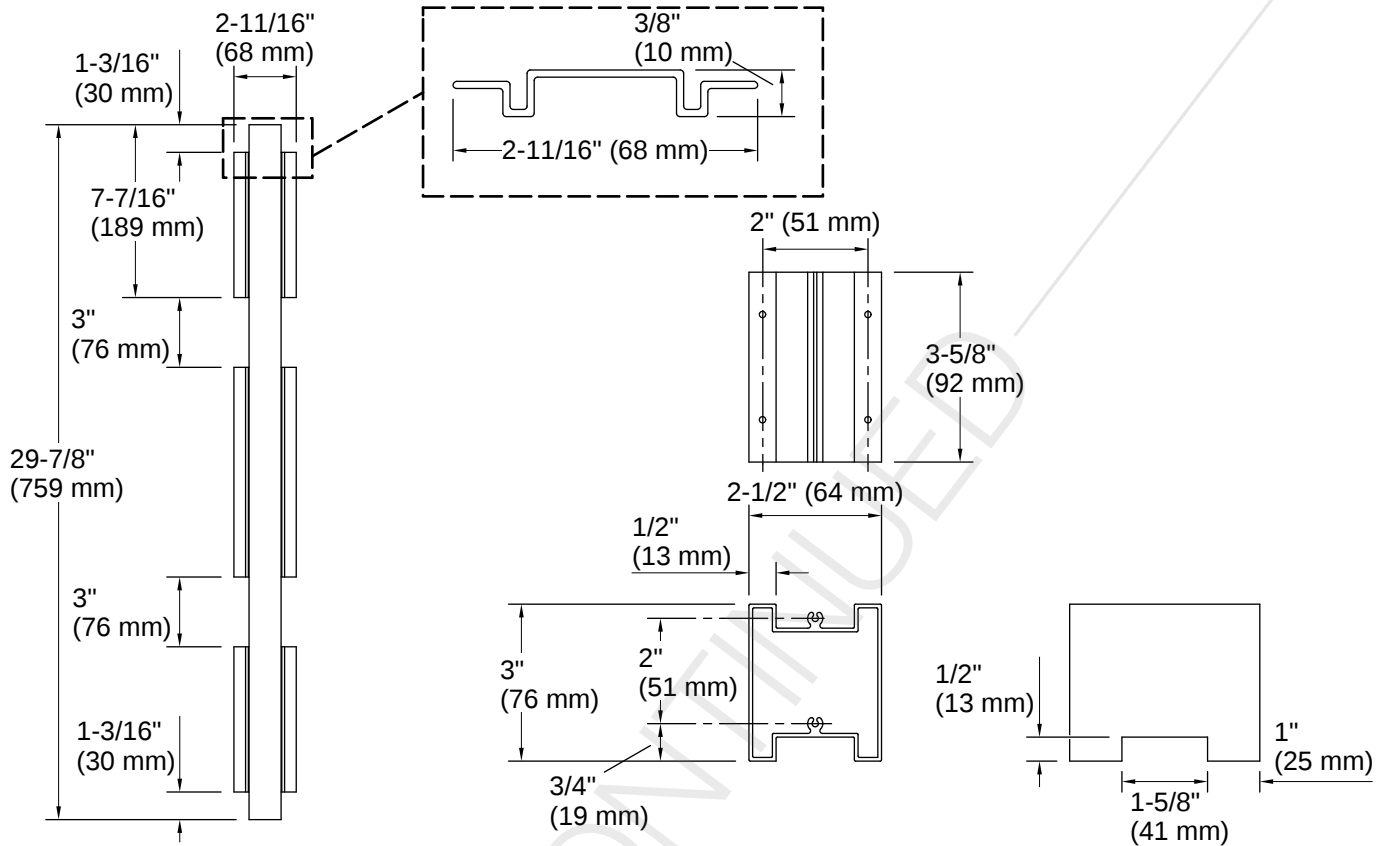
Warranty

See website for detailed warranty information.

KOHLER® One-Year Limited Warranty

DISCONTINUED





Installation

- Includes mounting hardware
- Spacer kit adds incremental width to cabinet size upon joining together. It is recommended to measure incremental space needed prior to installation

Installation Notes

Install this product according to the installation instructions.

