



# Kingston™

Two-piece elongated toilet, 1.28 gpf  
K-25087-SST

## Features

- Ideal for commercial installations
- Antimicrobial finish inhibits the growth of mold-, mildew-, stain-, and odor-causing bacteria on the fixture surface. This product does not protect users against bacteria, viruses, or other disease organisms. Always clean and wash this product thoroughly before and after each use
- Two-piece design
- Elongated bowl offers added room and comfort
- 1.28 gpf (4.8 lpf)
- Durable metal left-hand Polished Chrome trip lever
- 2-1/8" (54 mm) fully glazed trapway
- Tank cover locks included
- Easy-to-service silicone seal
- Sanitary guard where bowl and tank meet for ease of cleaning
- Encapsulated bolts prevent rust and corrosion
- Combination consists of the K-25086-SS bowl and K-25100-T tank
- Class Five® canister optimizes the flow out of the tank, harnessing gravity and the natural powerful reducing cascade of water to increase the power and effectiveness of the flush

## Installation

- Three-bolt quick-connect installation
- Standard 12" (305 mm) rough-in
- Seat and supply line sold separately

## Recommended Products/Accessories

- K-7637 Angle Supply with Stop (single)
- K-20110 Brevia™ Quiet-Close™ elongated toilet seat
- K-4650-A Lustra™ Elongated toilet seat with antimicrobial agent
- K-5420 Low-Profile Bolt Caps
- K-23726 Drain treatment

## Included Components

- K-25086-SS Elongated toilet bowl
- K-25100-T Toilet tank, 1.28 gpf



## Codes/Standards

- ASME A112.19.2/CSA B45.1
- DOE - Energy Policy Act 1992
- EPA WaterSense®
- California Energy Commission (CEC)
- IAPMO Certification

## KOHLER® Toilets and Seats Limited Warranty

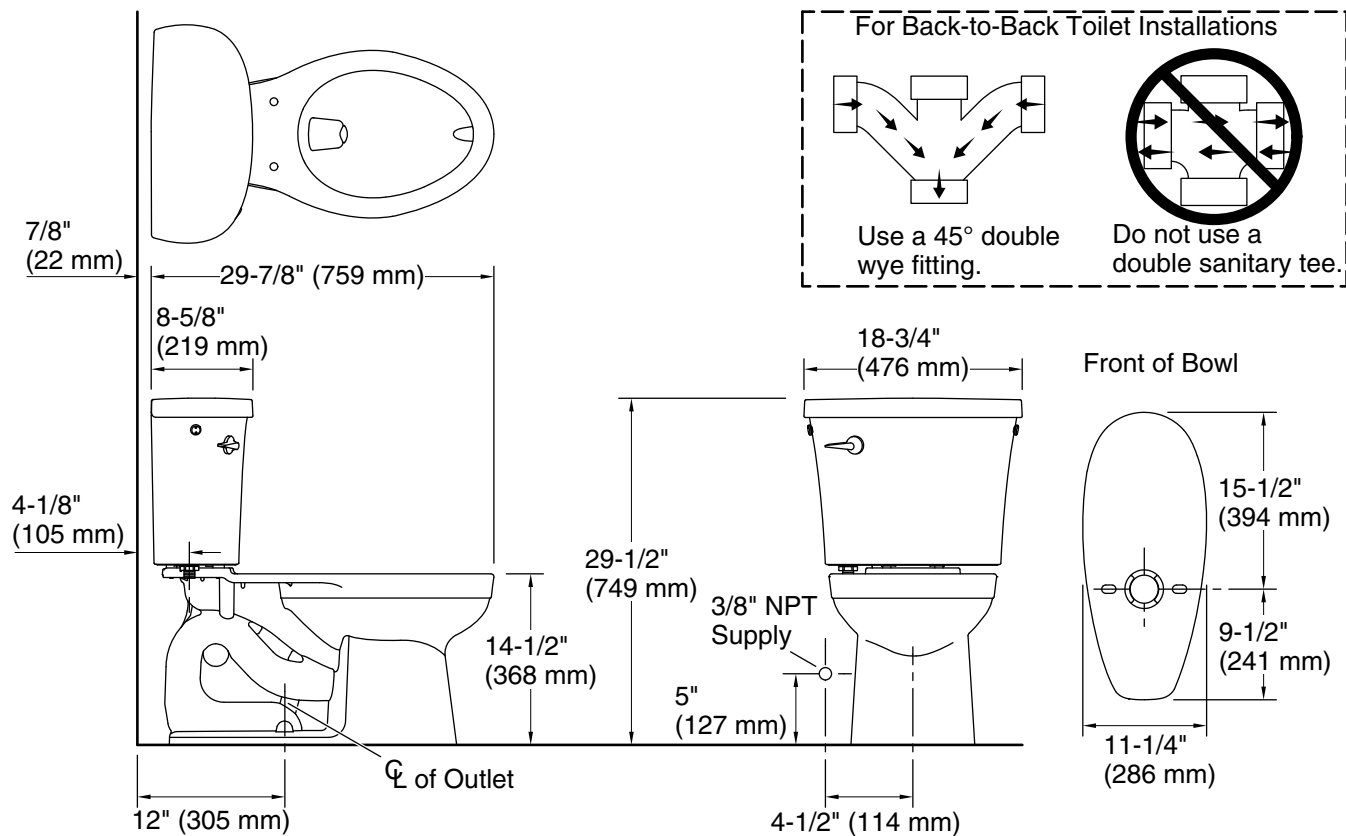
See website for detailed warranty information.

## Available Colors/Finishes

*Color tiles intended for reference only.*

### Color Code Description

	0	White
---	---	-------



## Technical Information

All product dimensions are nominal.

Toilet type:	Floor-mount
Waste Outlet:	Floor
Bowl shape:	Elongated
Flush type:	Class Five
Trap passageway:	2-1/8" (54 mm)
Water surface size:	10-13/16" x 7-1/4" (274 mm x 183 mm)
Rim to water surface:	5-5/8" (143 mm)
Rough-in:	12" (305 mm)

## Notes

Install this product according to the installation instructions.

For back-to-back toilet installations: Use only a 45° double wye fitting.