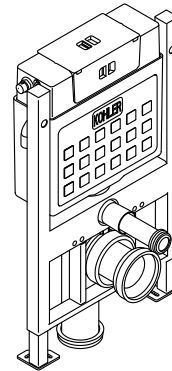


### Features

- Robust steel frame
- Insulated tank to prevent sweating
- Minimal noise as water fills in
- Large flush actuator opening; remove faceplate for easy access to inner tank
- Pneumatic flush module allows faceplate to be installed up to 13' (4 m) away from tank
- Pneumatic component initiates a smooth flush
- Dual flush offers a choice of 0.8 or 1.28 gpf (3.0 or 4.5 lpf)
- Independent filter offers easy access for cleaning
- Adjustable height allows bowl to be set from drainage outlet centerline to frame bottom between 5" - 10-13/16" (125 - 275 mm)
- Designed for use with bidet seat and hidden-cord toilet bowl
- In-wall tank, frame, and dual-flush actuator only; requires wall-hung bowl, dual-flush faceplate, and seat (sold separately)

### Installation

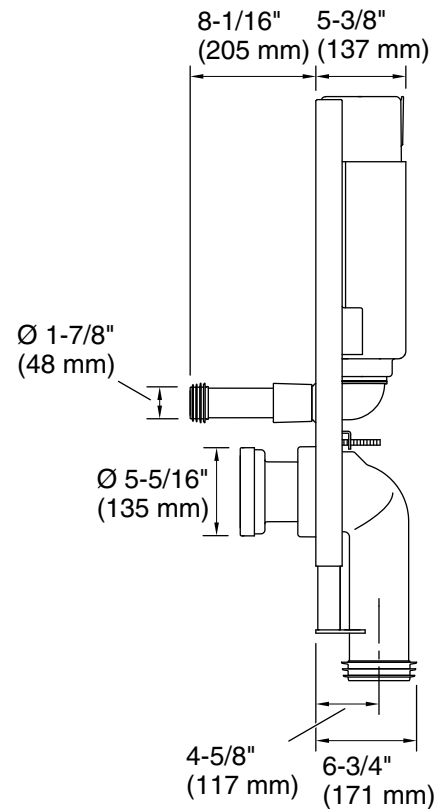
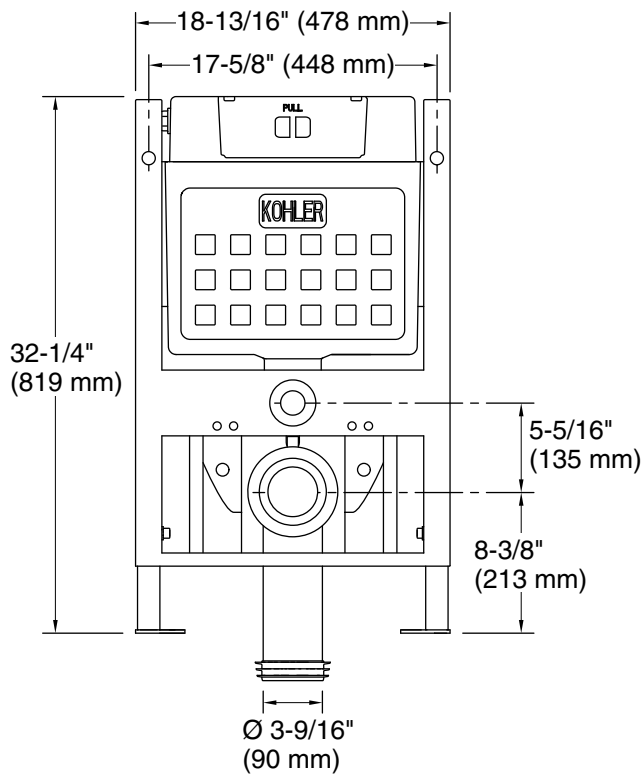
- Durable steel frame carrier is installed on solid wall. See installation guide for more detailed information
- 31-1/2" (800 mm) tank height offers condensed installation space
- When installed per Kohler installation instructions, the KOHLER in-wall tank and frame can support up to 400 kg without damage
- Supply line sold separately



### Codes/Standards

Plumbing Standards  
MS 1522

See website for detailed warranty information.



### Technical Information

All product dimensions are nominal.

Toilet type: In-wall mount

Flush type: Dual-Flush Washdown

### Notes

Install this product according to the installation instructions.

Install this product according to the installation instructions.