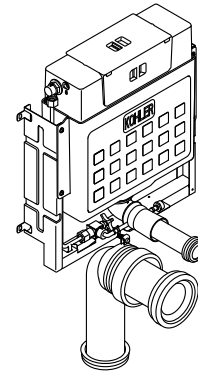


Features

- Insulated tank to prevent sweating
- Minimal noise as water fills in
- Large flush actuator opening; remove faceplate for easy access to inner tank
- Pneumatic flush module allows faceplate to be installed up to 13' (4 m) away from tank
- Pneumatic component initiates a smooth flush
- Dual-flush offers a choice of 0.8 or 1.28 gpf (3.0 or 4.5 lpf)
- Designed for use with bidet seat and hidden-cord toilet bowl
- Independent filter offers easy access for cleaning
- In-wall tank and dual-flush actuator only; requires floor-mount wall-faced bowl, dual-flush faceplate, and seat (sold separately)

Installation

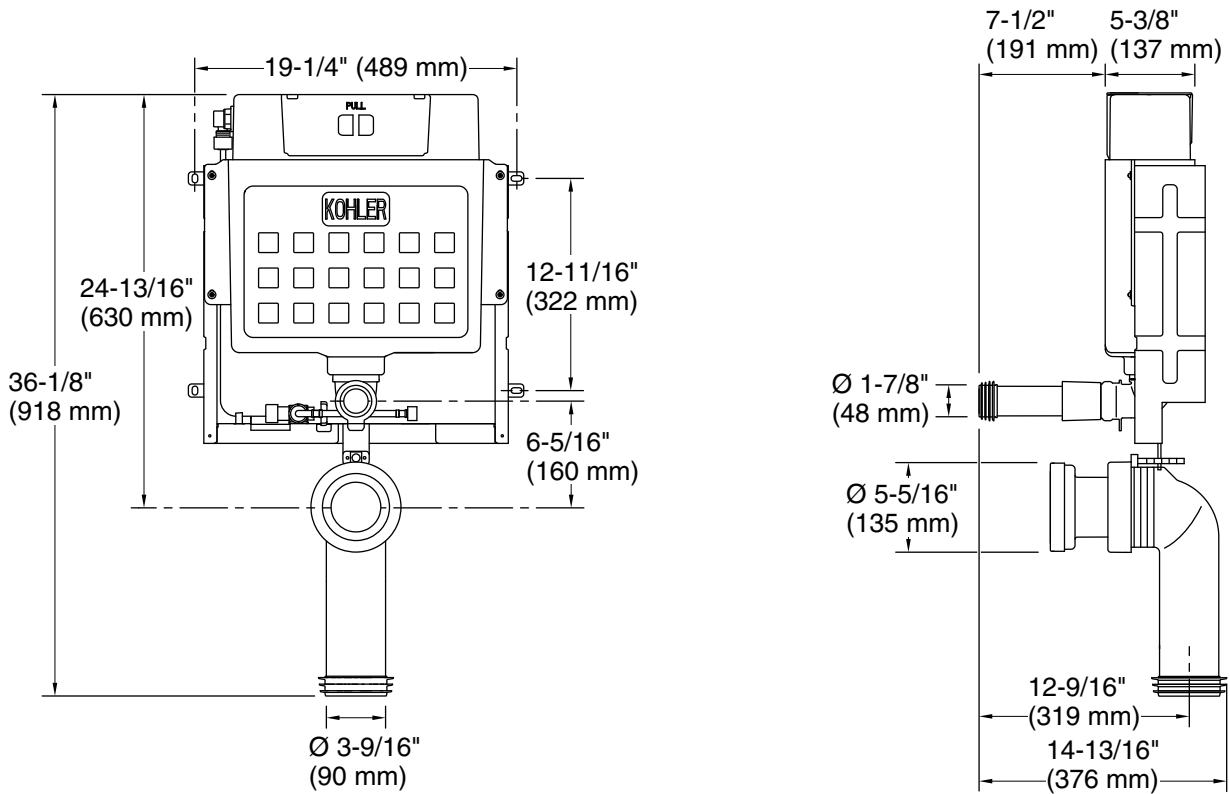
- Supply line sold separately



Codes/Standards

Plumbing Standards
MS 795

See website for detailed warranty information.



Technical Information

All product dimensions are nominal.

Toilet type:

Floor-mount

Flush type:

Dual-Flush Washdown

Notes

Install this product according to the installation instructions.

Install this product according to the installation instructions.