

Features

- For use with freestanding baths
- Greatly reduces the installation time of your freestanding bath
- Kit includes: ABS plastic flange, pre-glued rubber gasket

Material

- Durable ABS plastic

Installation

- Above-the-floor

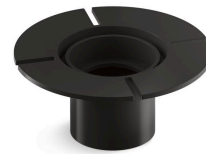
Recommended Products/Accessories

K-25863 Toe-tap bath drain

Optional Products/Accessories

K-25864 Floor flange kit, brass

K-25865 Floor flange kit, ABS



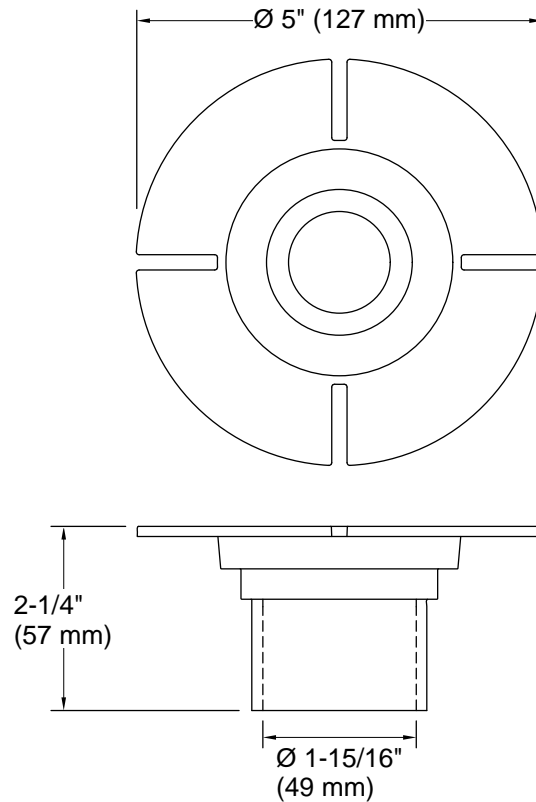
Codes/Standards

ASME A112.18.2/CSA B125.2

IAPMO Certification

KOHLER[®] One-Year Limited Warranty

See website for detailed warranty information.



Technical Information

All product dimensions are nominal.

Drain included: No

Spout:

Handshower:

Rated maximum flow: 0 gal/min (0 l/min)