

Features

- 3" (76 mm) raised seating surface provides a more comfortable height for those with limited mobility
- Eye-pleasing design mimics a conventional toilet seat, with no unattractive riser to detract from your bathroom decor
- Round closed-front seat
- Contoured seat for user comfort
- Grip-Tight installation hardware makes it easy to fasten the seat – everything is done from above the bowl
- Quick-Release™ functionality allows seat to be removed easily from toilet for convenient cleaning
- Grip-Tight bumpers hold seat firmly in place
- Quiet-Close™ round-front lid and seat prevents slamming
- Fits most round-front toilets

Material

- Plastic construction

Installation

- Installs easily and securely onto your existing toilet bowl
- For residential use only



Codes/Standards

IAPMO/ANSI Z124.5

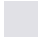

KOHLER® Toilets and Seats Limited Warranty

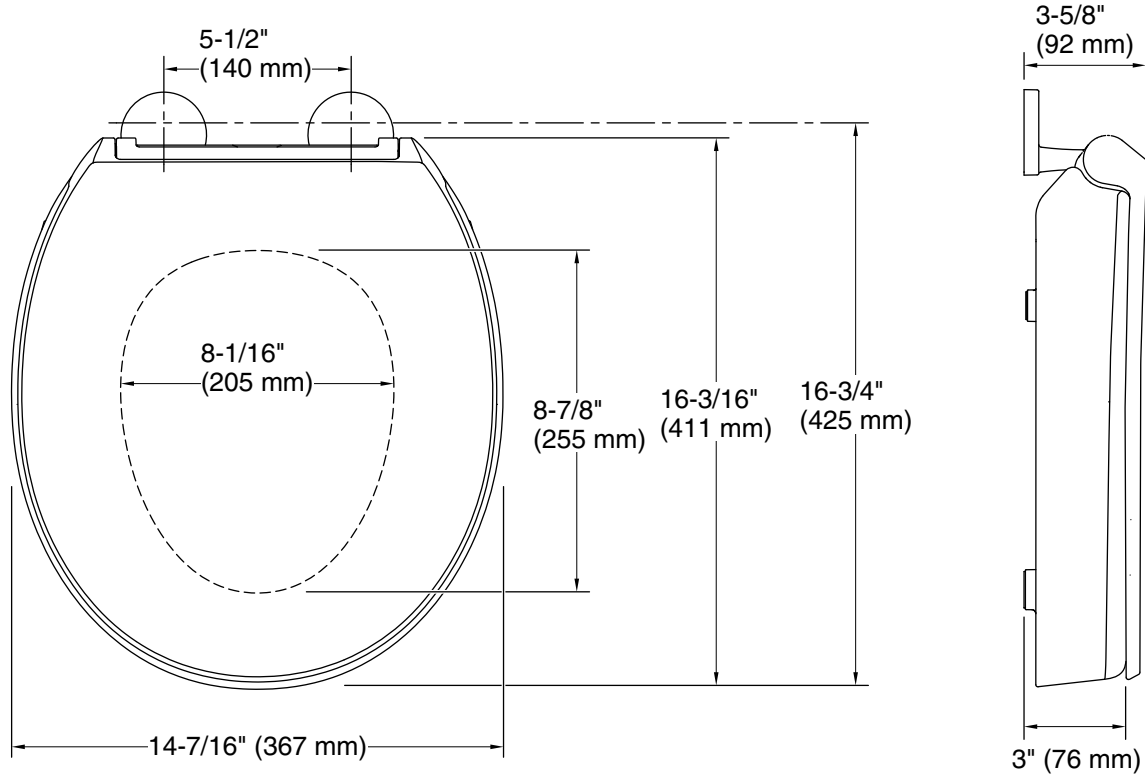
See website for detailed warranty information.

Available Colors/Finishes

Color tiles intended for reference only.

Color	Code	Description
-------	------	-------------

	0	White
	96	Biscuit



Technical Information

All product dimensions are nominal.

Seat shape type:	Round-front
Seat front type:	Closed-front
Seat-mounting holes:	5-1/2" (140 mm)