

### Features

- Washout urinal
- 1/2" (13 mm) rear spud
- 0.5 gpf (1.9 lpf)
- Delivers dependable water-saving performance and added hygiene
- This product can help a building earn Water Efficiency points in LEED® Green Building Rating System
- Patented back wall geometry and extended rim limit splash-back for a cleaner user experience
- Battery-operated touchless electronic flush valve powered by four AA alkaline batteries (included)
- Includes tank cover and tank cover locks
- 0.5 gpf (1.9 lpf)

### Material

- Vitreous china

### Recommended Replacements

- This product is replaced by K-32590 Wall-hung rear-spud touchless urinal, 0.5 gpf.

### Recommended Products/Accessories

- K-23726 Drain treatment
- K-23725 Cast iron cleaner



ADA

CSA B651

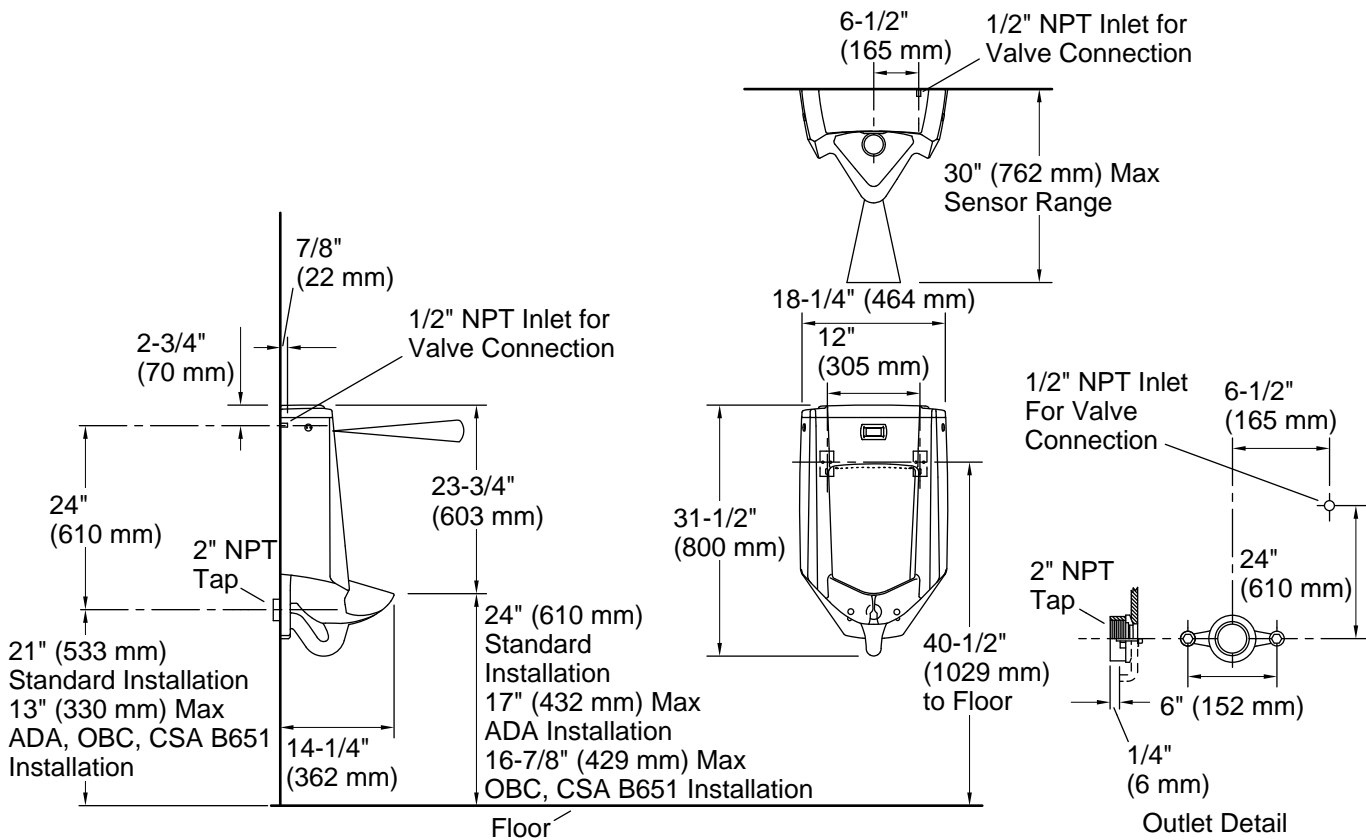
OBC

### Codes/Standards

ASME A112.19.2/CSA B45.1  
DOE - Energy Policy Act 1992  
EPA WaterSense®  
ADA  
ICC/ANSI A117.1  
CSA B651  
OBC  
IAPMO Certification

### KOHLER® One-Year Limited Warranty

See website for detailed warranty information.



## Technical Information

All product dimensions are nominal.

Spud size: 1/2", Inlet, Rear

Min. Water per Flush: 0.5 gpf (1 lpf)

Max. Water per Flush: 0.5 gpf (1 lpf)

Designed for the above water use when installed with a water-saving flushometer.

## Pressure and Supply Requirements

Fixture pressure min (static): 25 psi (172.4 kPa)

Fixture pressure max (static): 80 psi (551.6 kPa)

Power source: Battery - DC, Alkaline, included

## Notes

Install this product according to the installation guide.

Recommended ADA outlet spud height will account for normal product variation.

For ADA compliance, measurement must be 17" (432 mm) or less from the floor to the top of the lip. For OBC and CSA B651 compliance, measurement must be 16-7/8" (429 mm) or less from the floor to the top of the lip.

ADA, OBC, CSA B651 compliant when installed to the specific requirements of these regulations.