



**Vault™**

32" undermount double-bowl kitchen sink  
**K-25940**

### Features

- 36" minimum base cabinet width
- 5-1/2" (140 mm) deep double-equal bowls
- Rear drain placement increases cabinet storage space underneath sink
- Sink drain with strainer sold separately

### Material

- Handcrafted from 18-gauge stainless steel

### Installation

- Undermount

### Recommended Products/Accessories

- K-8801 Sink drain and strainer with tailpiece
- K-8799 Sink drain and strainer basket
- K-6641 Stainless steel sink rack (Qty 2)

### Optional Products/Accessories

- K-9000 P-Trap

### Included Components

- 91915 Hardware Kit



**ADA**

### Codes/Standards

ASME A112.19.3/CSA B45.4  
ADA  
ICC/ANSI A117.1

### **KOHLER® Stainless Steel Sinks Lifetime Limited Warranty**

See website for detailed warranty information.

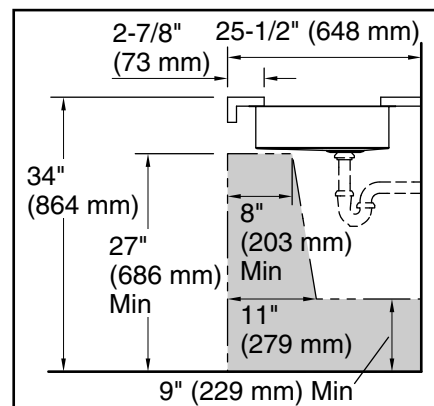
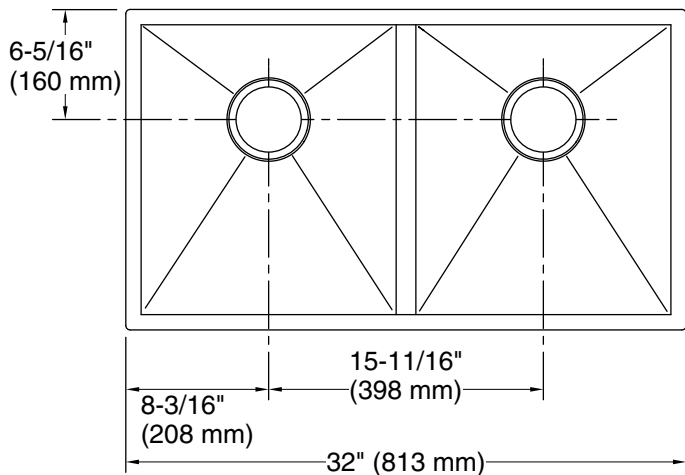
1-800-4KOHLER (1-800-456-4537)

Kohler Co. reserves the right to make revisions without notice to product specifications.

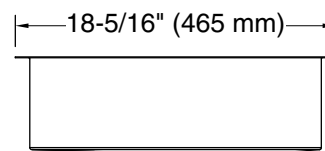
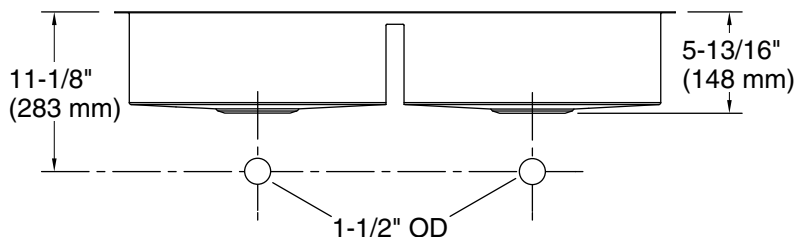
For the most current Specification Sheet, go to [www.kohler.com](http://www.kohler.com) USA or [www.kohler.ca](http://www.kohler.ca) Canada

2-14-2025 14:57 - US/CA

THE BOLD LOOK  
OF **KOHLER®**



**Recommended ADA Installation**



### Technical Information

All product dimensions are nominal.

Basin configuration: Equal Bowls

Min. base cabinet width: 36" (914 mm)

Bowl area (Left): Length: 14-9/16" (370 mm)  
Width: 16-9/16" (420 mm)  
Bowl depth: 5-1/2" (140 mm)  
Water depth: 5-1/2" (140 mm)

Bowl area (Right): Length: 14-9/16" (370 mm)  
Width: 16-9/16" (420 mm)  
Bowl depth: 5-1/2" (140 mm)

Drain hole: 3-3/4" (94 mm)

Template: Undermount, 1207216-7, required, included

### Notes

Install this product according to the installation instructions.

ADA compliant when installed to the specific requirements of these regulations.