



**Rhythm®**  
23-1/4" oval drop-in bathroom sink, no overflow  
**K-2603-SU**

**Features**

- Oval basin with Satin finish
- No faucet holes; requires wall- or counter-mount faucet

**Material**

- Stainless steel construction
- Premium 20-gauge stainless steel

**Installation**

- Drop-in

**Recommended Products/Accessories**

- K-7114 Pop-Up Drain
- K-7127 Drain
- K-7129 Drain
- K-8998 P-Trap
- K-23726 Drain treatment
- K-23729 Stainless steel cleaner

**Included Components**

- 1193643 Basin clamps



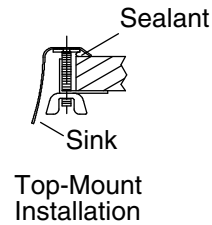
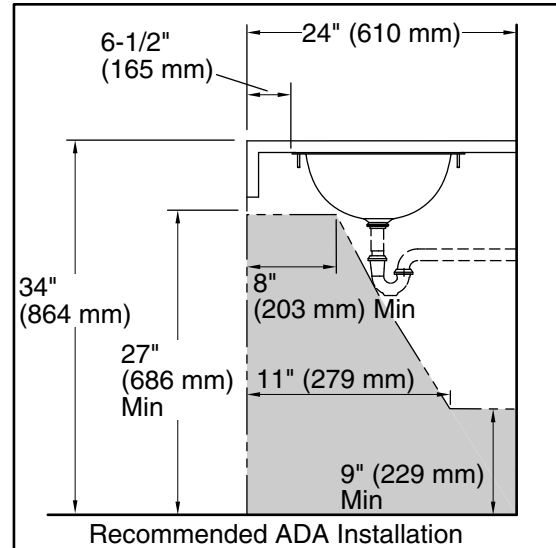
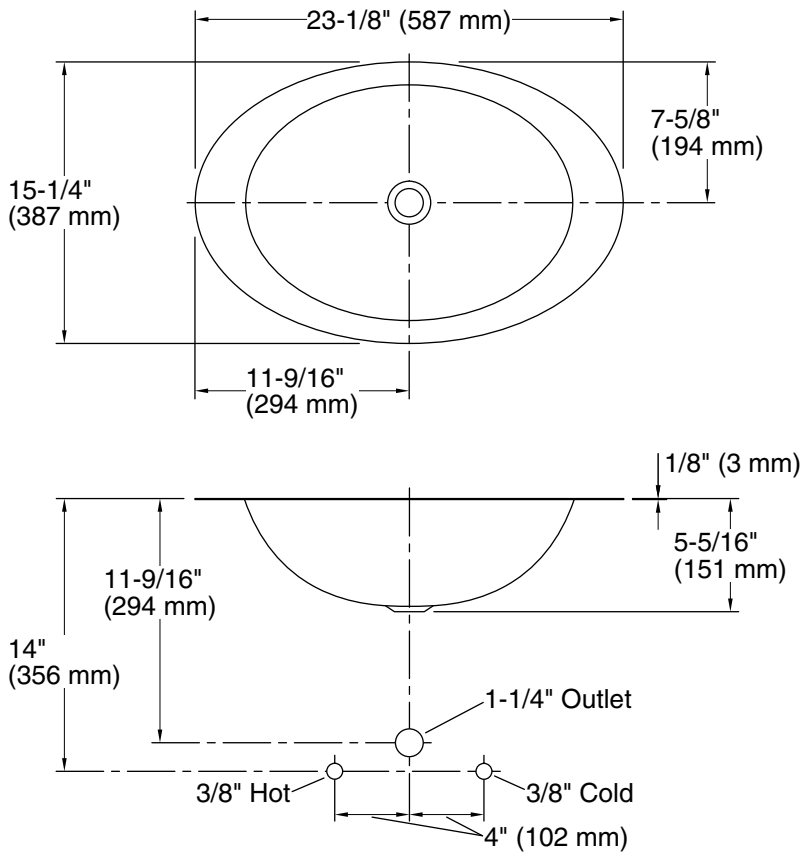
**ADA**

**Codes/Standards**

ASME A112.19.3/CSA B45.4  
ADA  
ICC/ANSI A117.1

**KOHLER® One-Year Limited  
Warranty**

See website for detailed warranty information.



### Technical Information

All product dimensions are nominal.

Basin configuration:	Single Bowl
Bowl area (Only):	Length: 18" (457 mm) Width: 13" (330 mm) Water depth: 5-7/8" (149 mm)
With overflow:	No
Drain hole:	5/8" (16 mm)
Template:	1006417-7, required, included

### Notes

Install this product according to the installation instructions.

Minimum faucet spout reach of 5" (127 mm) is required. Review bathroom sink and faucet rough-in dimensions carefully to ensure the spout will reach over the rim into the basin.

Supplied basin clamp assembly requires 3/4" (19 mm) minimum countertop thickness. Installer must supply anchors for thinner countertops.

NOTICE: Countertop manufacturer or cutter must use the cut-out template provided by Kohler Co. (call 1-800-4-KOHLER). Kohler Co. is not responsible for cut out errors when the incorrect cut-out template is used.

ADA compliant when installed to the specific requirements of these regulations.