



Bachata®
20" oval drop-in/undermount bathroom sink, no
overflow
K-2608-MU

Features

- Oval basin
- No faucet holes; requires wall- or counter-mount faucet
- Fits standard 14" x 17" (356 x 432 mm) countertop cutout

Material

- Premium 20-gauge stainless steel

Installation

- Drop-in or undermount

Required Products/Accessories

K-33151 Clicker drain without overflow

Recommended Products/Accessories

K-8998 P-Trap

K-23726 Drain treatment

K-23729 Stainless steel cleaner

Included Components

91915 Hardware Kit



ADA

CSA B651

Codes/Standards

ASME A112.19.3/CSA B45.4

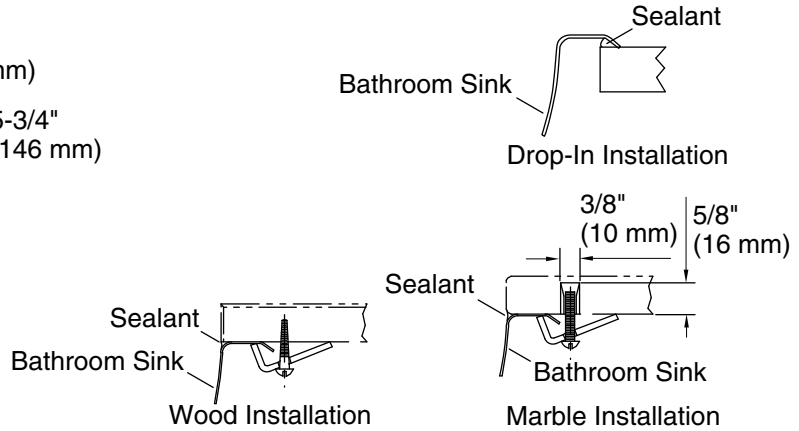
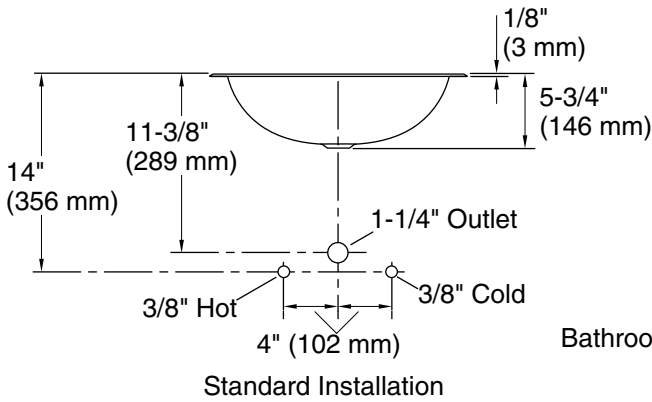
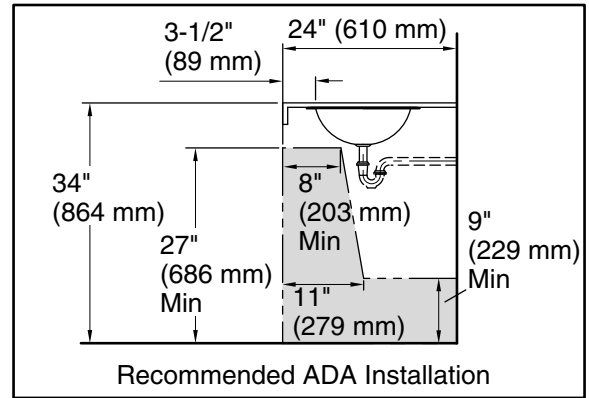
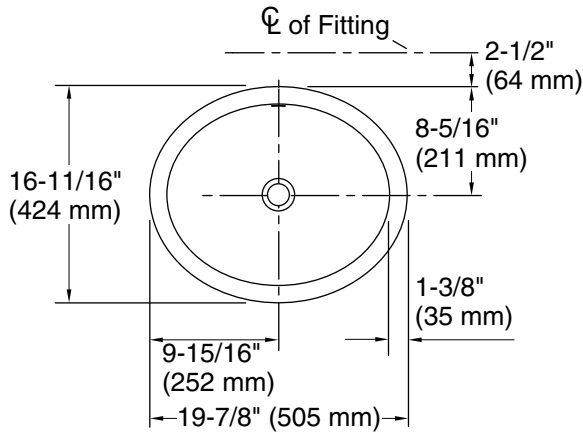
ADA

ICC/ANSI A117.1

CSA B651

**KOHLER® One-Year Limited
Warranty**

See website for detailed warranty information.



Technical Information

All product dimensions are nominal.

- Basin configuration: Single Bowl
- Bowl area:
 - Length: 17-1/8" (435 mm)
 - Width: 13-15/16" (354 mm)
 - Bowl depth: 5-3/8" (136 mm)
 - Water depth: 5-3/8" (137 mm)
- With overflow: No
- Drain hole: 1-5/8" (41 mm)
- Template: 1248333-7, required, included

Notes

- Install this product according to the installation instructions.
- Installer must supply anchors based on countertop material and thickness.
- ADA, CSA B651 compliant when installed to the specific requirements of these regulations.