



**Bachata®**  
20" oval drop-in/undermount bathroom sink, no  
overflow  
**K-2608-SU**

**Features**

- Oval basin
- No faucet holes; requires wall- or counter-mount faucet
- Fits standard 14" x 17" (356 x 432 mm) countertop cutout

**Material**

- Premium 20-gauge stainless steel with luster finish

**Installation**

- Drop-in or undermount

**Required Products/Accessories**

K-33151 Clicker drain without overflow

**Recommended Products/Accessories**

K-8998 P-Trap

K-23726 Drain treatment

K-23729 Stainless steel cleaner

**Included Components**

91915 Hardware Kit



ADA

CSA B651

**Codes/Standards**

ASME A112.19.3/CSA B45.4

ADA

ICC/ANSI A117.1

CSA B651

**KOHLER® One-Year Limited  
Warranty**

See website for detailed warranty information.

**Available Colors/Finishes**

*Color tiles intended for reference only.*

**Color Code Description**



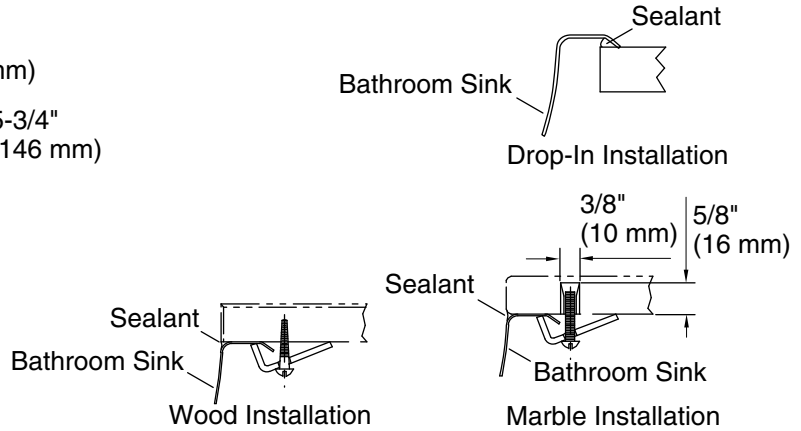
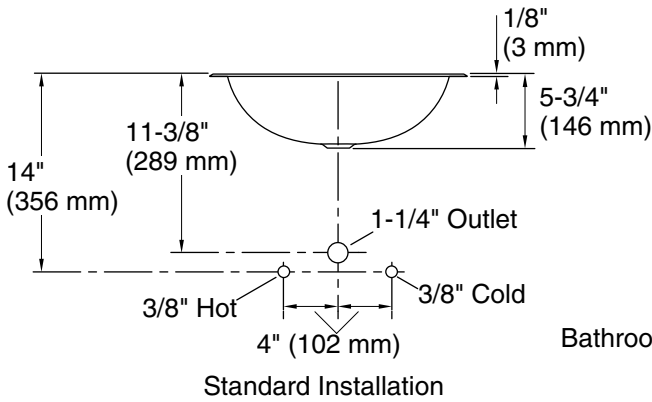
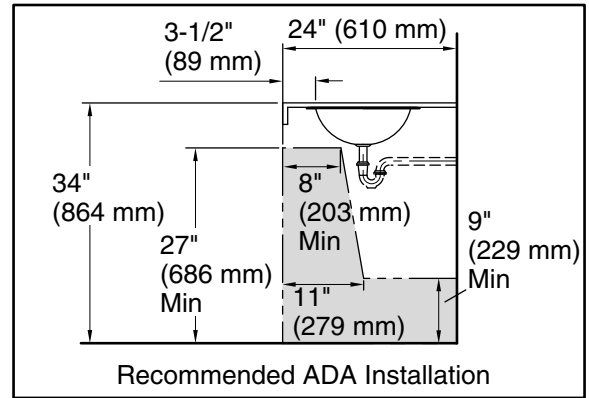
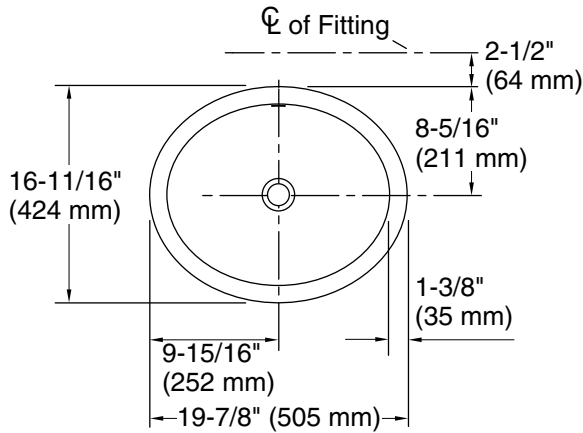
BV

Vibrant® Brushed Bronze



2MB

Vibrant® Brushed Moderne  
Brass



## Technical Information

All product dimensions are nominal.

- Basin configuration: Single Bowl
- Bowl area: Length: 17-1/8" (435 mm)  
 Width: 13-15/16" (354 mm)  
 Bowl depth: 5-3/8" (136 mm)  
 Water depth: 5-3/8" (137 mm)
- With overflow: No
- Drain hole: 1-5/8" (41 mm)
- Template: 1248333-7, required, included

## Notes

- Install this product according to the installation instructions.
- Installer must supply anchors based on countertop material and thickness.
- ADA, CSA B651 compliant when installed to the specific requirements of these regulations.