

#### Features

- Integral apron creates a clean, finished look
- Low step-over height allows easy entry and exit
- Round overflow
- Integral lumbar support
- Textured bottom surface

#### Material

- Acrylic

#### Installation

- Alcove
- Integral flange
- Right drain

#### Recommended Products/Accessories

- K-7213 27" Cable Bath Drain
- K-7214 27" Cable Bath Drain
- K-11660 Bath Drain
- K-23726 Drain treatment
- K-23732 Tub & shower cleaner



ADA

#### Codes/Standards

CSA B45.5/IAPMO Z124  
ASTM E162  
ASTM E662  
ADA  
ICC/ANSI A117.1  
IAPMO Certification


#### KOHLER® Plastic Baths and Shower Bases Lifetime Limited Warranty

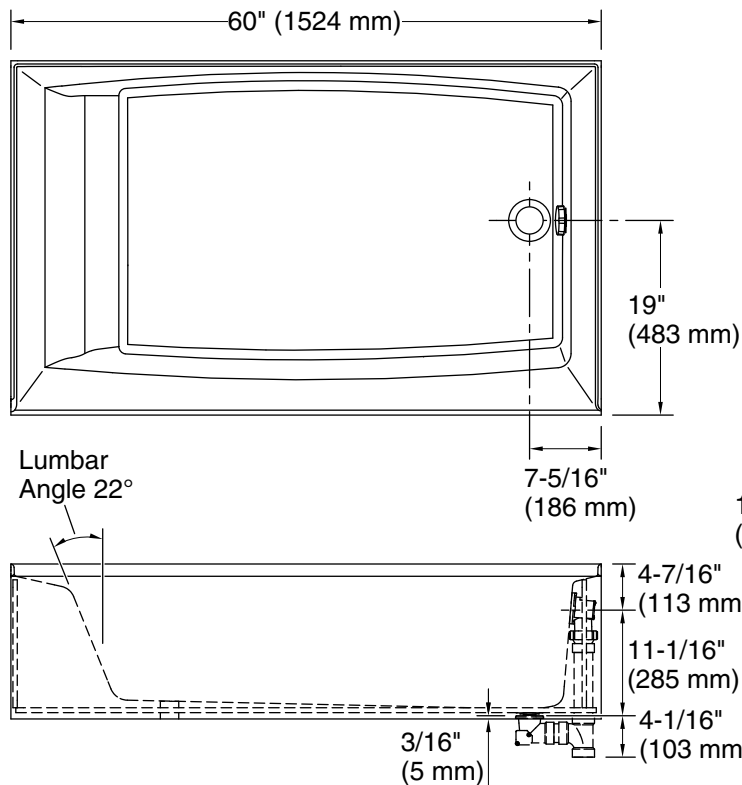
See website for detailed warranty information.

#### Available Colors/Finishes

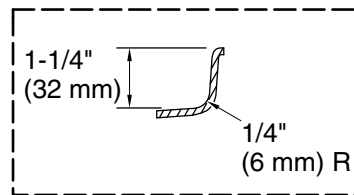
*Color tiles intended for reference only.*

Color	Code	Description
-------	------	-------------

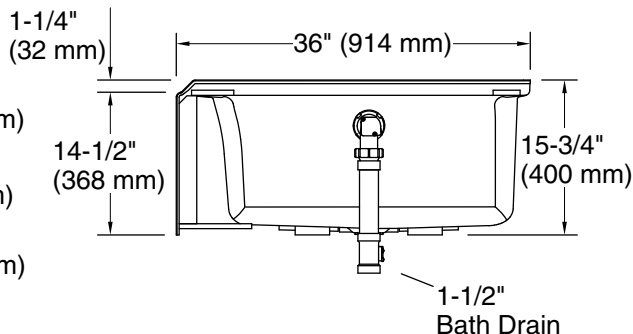
	0	White
---	---	-------



No change in measurements if connected with drain illustrated. (K-7213)



**Internal Flange Detail**



## Technical Information

All product dimensions are nominal.

Drain location:	Right
Basin area, bottom:	45-1/16" x 28-3/8" (1145 mm x 720 mm)
Basin area, top:	53-1/16" x 30-3/8" (1348 mm x 771 mm)
Weight:	65 lbs (29.5 kg)
Minimum floor load:	36 lbs/ft <sup>2</sup> (175.8 kg/m <sup>2</sup> )
Water depth:	9-1/8" (232 mm)
Water capacity:	47.4 gal (179.4 L)
Minimum flat for door:	2-15/16" (74 mm)

## Notes

Measure your actual product for rough-in details.

Install this product according to the installation instructions.

The hot water supply should be 70% of the capacity of the bath or greater. Installations will vary.

ADA compliant when installed to the specific requirements of these regulations.