

Features

- Low step-over height allows easy entry and exit
- Integral lumbar support
- Round overflow
- Integral apron creates a clean, finished look
- Integral flange helps prevent water from seeping behind wall and simplifies alcove installation
- Textured bottom surface

Material

- Acrylic

Installation

- Left drain
- Alcove

Recommended Products/Accessories

- K-7213 27" Cable Bath Drain
- K-23726 Drain treatment
- K-23732 Tub & shower cleaner



ADA

Codes/Standards

CSA B45.5/IAPMO Z124
ASTM E162
ASTM E662
ADA
ICC/ANSI A117.1
IAPMO Certification

KOHLER® Plastic Baths and Shower Bases Lifetime Limited Warranty

See website for detailed warranty information.

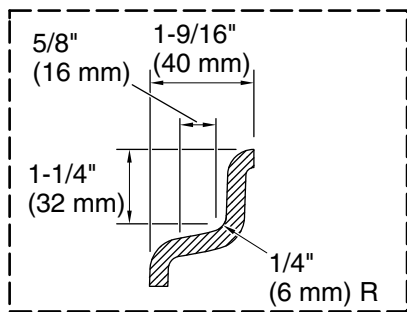
Available Colors/Finishes

Color tiles intended for reference only.

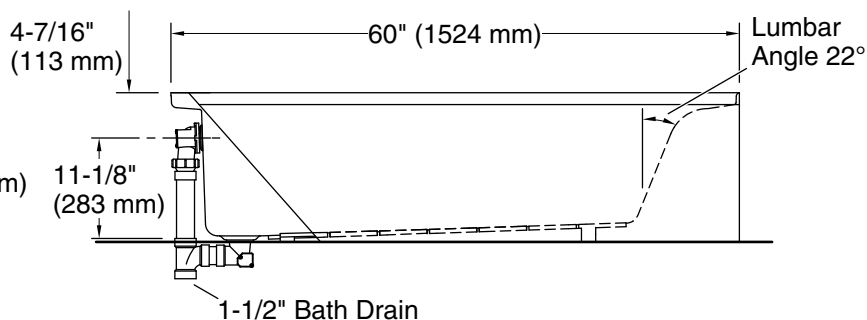
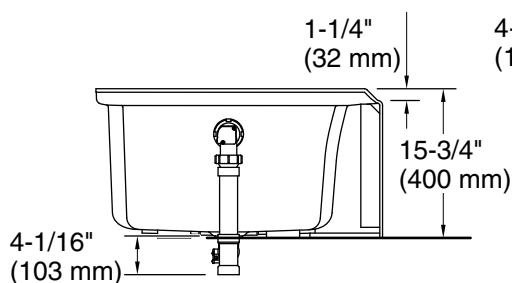
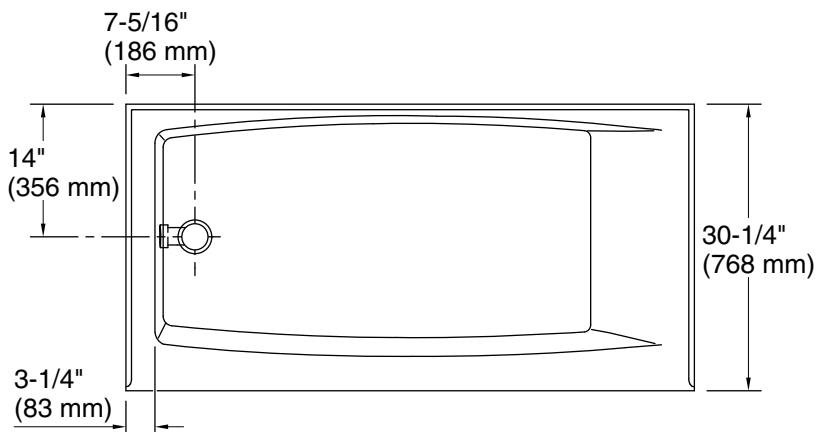
Color Code Description

	0	White
---	---	-------

No change in measurements if connected with drain illustrated. (K-7213)



Integral Flange Detail



Technical Information

All product dimensions are nominal.

Drain location:	Left
Basin area, bottom:	45-1/8" x 22-5/8" (1146 mm x 574 mm)
Basin area, top:	53" x 24-5/8" (1346 mm x 625 mm)
Weight:	66 lbs (29.9 kg)
Minimum floor load:	36 lbs/ft ² (175.8 kg/m ²)
Water depth:	9" (229 mm)
Water capacity:	42 gal (159 L)
Minimum flat for door:	2-15/16" (74 mm)

Notes

Measure your actual product for rough-in details.

Install this product according to the installation instructions.

The hot water supply should be 70% of the capacity of the bath or greater. Installations will vary.

ADA compliant when installed to the specific requirements of these regulations.