

### Features

- Hybrid heater provides continuously heated water for consistent comfort
- LED lighting illuminates the bowl to serve as a nightlight
- Heated seat with five temperature settings
- Front and rear wash modes provide warm water for cleansing
- Adjustable water temperature and water pressure
- Side-mounted control panel is accessible and easy to use
- Self-cleaning function uses UV light to automatically clean the wand surfaces
- Quiet-Close™ elongated lid and seat prevents slamming
- Quick-Release™ functionality allows seat to be removed easily from toilet for convenient cleaning
- Fits most elongated toilets

### Material

- Plastic construction

### Installation

- Requires connection to toilet water supply line. All hoses and connections are included
- Requires dedicated electrical GFCI circuit (120 V, 15 A, 60 Hz)



### Codes/Standards



ASME A112.4.2/CSA B45.16  
UL 1431  
CSA C22.2 No. 64  
CSA C22.2 No. 68  
IAPMO Certification  
cUL Listed

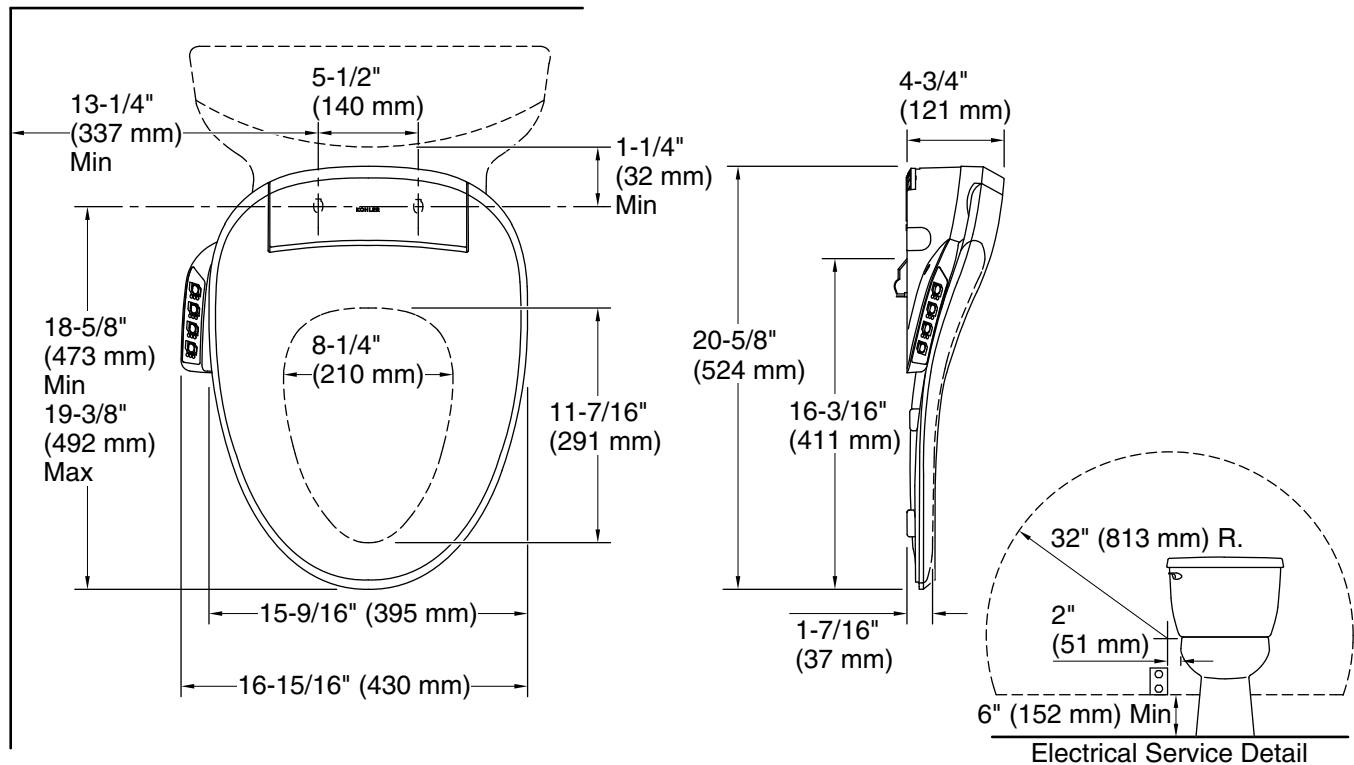
### KOHLER® Intelligent Toilet and C3® Cleansing Seat Three-Year Limited Warranty

See website for detailed warranty information.

### Available Colors/Finishes

*Color tiles intended for reference only.*

Color	Code	Description
	0	White
	96	Biscuit



### Required Electrical Service

One dedicated circuit required, protected with Class A Ground-Fault Circuit-Interrupter (GFCI). Outside North America, this device may be known as a Residual Current Device (RCD).

Bidet toilet seat: 120 V, 15 A, 60 Hz

### Technical Information

All product dimensions are nominal.

Seat shape type: Elongated  
 Seat front type: Closed-front  
 Seat-mounting holes: 5-1/2" (140 mm)  
 Electrical component rating: Bidet toilet seat: 120 V, 15 A, 60 Hz, 1800 W  
 Power cord length: 43" (1092 mm)

### Notes

Install this product according to the installation instructions.

Connect the seat to a cold water supply of drinking quality water at a pressure of 20 psi - 80 psi (139 kPa - 551 kPa).

Do not install this seat in a location where: (1) water might be splashed on the product or (2) excessive moisture, high humidity levels, or condensation is present. This will avoid damage to the electronic components.

**CAUTION:** Risk of property damage. A single extension cord may be used provided the cord "Type" begins with "SJ", 12 gauge, grounded (12/3), no longer than 25 feet, and plugged into a GFCI outlet. Promptly replace any extension cord that exhibits any sign of damage.

To avoid possible product malfunction, do not plug in the seat until instructed to do so.

Locate the receptacle at least 6" (152 mm) above the floor, and within a 32" (813 mm) radius measured 2" (51 mm) from the bowl