

### Features

- Nondiverter spout
- 8" (203 mm) spout reach
- 12.0 gpm (45.4 lpm) maximum bath faucet flow rate at 45 psi (3.1 bar)
- For use with Components™ Lever, Oyl, or Industrial faucet handles (sold separately)
- Coordinates with Components faucets, accessories, and showering components to complete your bathroom

### Material

- Premium metal construction for durability and reliability
- KOHLER® finishes resist corrosion and tarnishing

### Installation

- Deck-mount

### Required Products/Accessories

- K-77990-4 deck-mount bath faucet handles with valve
- or
- K-77990-8 deck-mount bath faucet handles with valve
- or
- K-77990-9 deck-mount bath faucet handles with valve

### Recommended Products/Accessories

- K-23723 Faucet cleaner

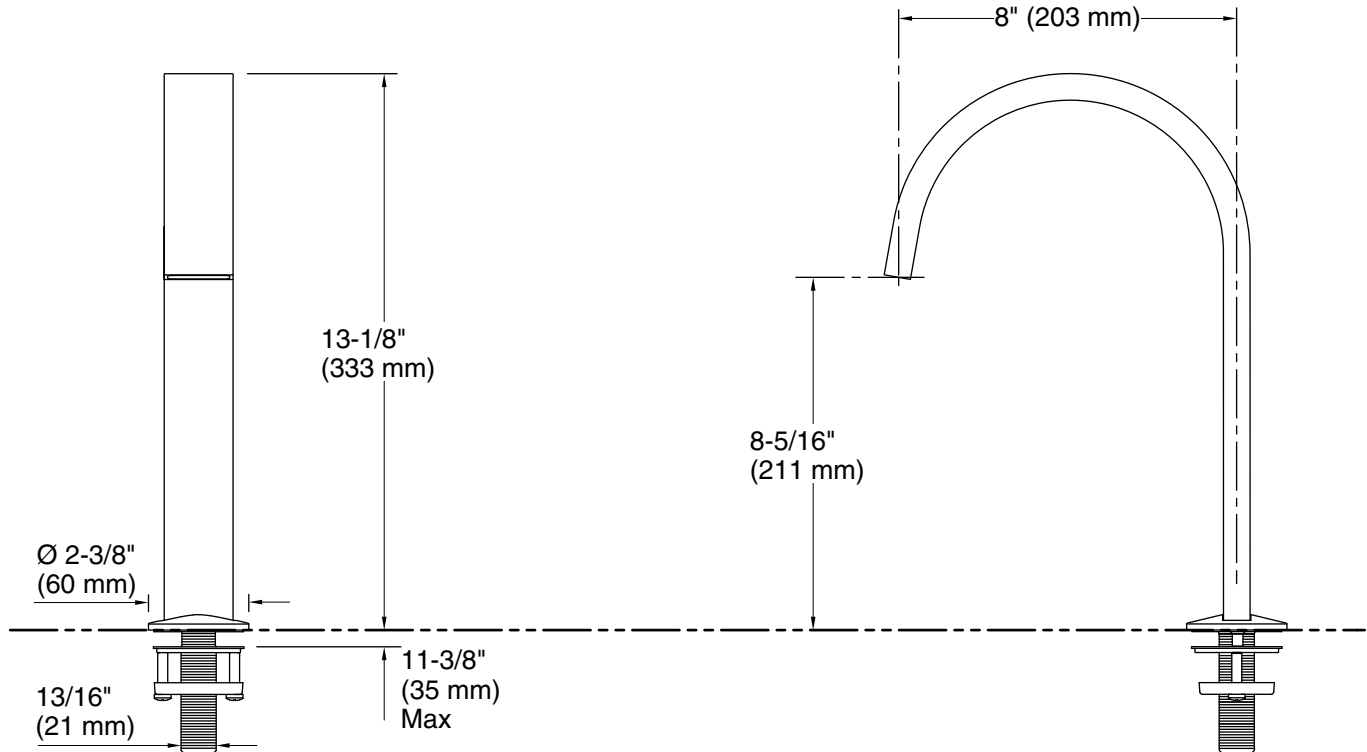


### Codes/Standards

AS 3718

### KOHLER® Faucet Lifetime Limited Warranty

See website for detailed warranty information.



### Technical Information

All product dimensions are nominal.

#### Faucet:

Flow rate: 12 gal/min (45.4 l/min)

Pressure: 45 psi (3.1 bar)

Drain included: No

### Notes

Install this product according to the installation instructions.