

### Features

- Unique rainhead design reveals faucet stream flowing into wide-nozzle face plate, releasing a thick curtain of water
- Full Coverage Rain uses gravity to deliver a soft flow of water, providing a gentle spray experience reminiscent of natural rainfall
- Self-leveling ball joint keeps rainhead parallel to the ground for steady coverage
- Optimized sprayface for maximum performance
- 1.75 gpm (6.6 lpm) maximum flow rate at 45 psi (3.1 bar)
- This product can help a building earn Water Efficiency points in LEED® Green Building Rating System



### Material

- Premium material construction for durability and reliability
- KOHLER® finishes resist corrosion and tarnishing

### Installation

- 1/2" -14 NPT connection
- Requires ceiling-mount single-function rainhead arm and flange (sold separately)

### Required Products/Accessories

K-26319 3" ceiling-mount single-function rainhead arm and flange

or

K-26320 6" ceiling-mount single-function rainhead arm and flange

or

K-26321 12" ceiling-mount single-function rainhead arm and flange

or

K-26322 15-1/2" wall-mount single-function rainhead arm and flange

### Recommended Products/Accessories

K-23723 Faucet cleaner



### Codes/Standards


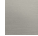

ASME A112.18.1/CSA B125.1  
DOE - Energy Policy Act 1992  
EPA WaterSense®  
California Energy Commission (CEC)  
IAPMO Certification

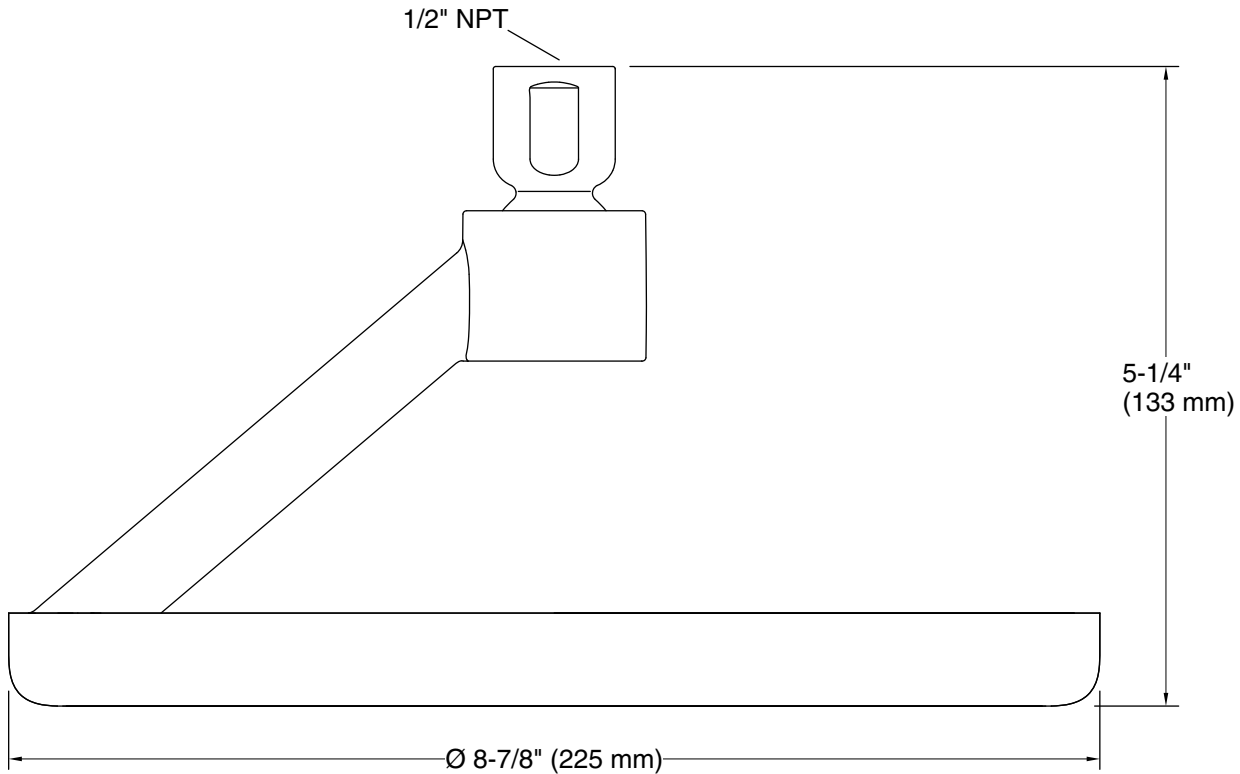
### KOHLER® Faucet Lifetime Limited Warranty

See website for detailed warranty information.

### Available Colors/Finishes

*Color tiles intended for reference only.*

Color	Code	Description
	CP	Polished Chrome
	SN	Vibrant® Polished Nickel
	AF	Vibrant® French Gold
	BN	Vibrant® Brushed Nickel
	BV	Vibrant® Brushed Bronze
	BL	Matte Black
	2MB	Vibrant® Brushed Moderne Brass
	TT	Vibrant Titanium



### Technical Information

All product dimensions are nominal.

#### Handshower:

Rated maximum flow: 0 gal/min (0 l/min)

#### Showerhead/Body Spray:

Rated maximum flow: 1.75 gal/min (6.6 l/min)