

### Features

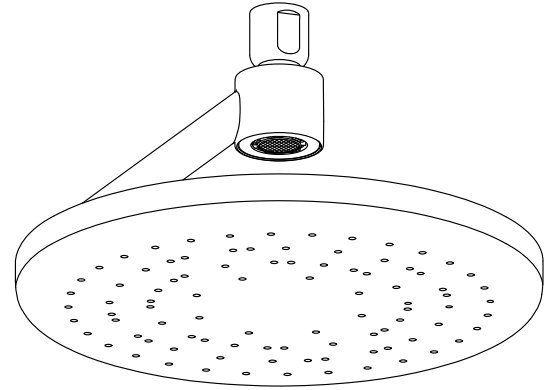
- Unique rainhead design reveals faucet stream flowing into wide-nozzle face plate, releasing a thick curtain of water.
- Full Coverage Rain uses gravity to deliver a soft flow of water, providing a gentle spray experience reminiscent of natural rainfall.
- Optimized sprayface for maximum performance.
- 2.5 gpm (9.5 lpm) maximum flow rate at 45 psi (3.1 bar).
- G 1/2 connection.

### Material

- Premium material construction for durability and reliability.
- KOHLER finishes resist corrosion and tarnishing.

### Installation

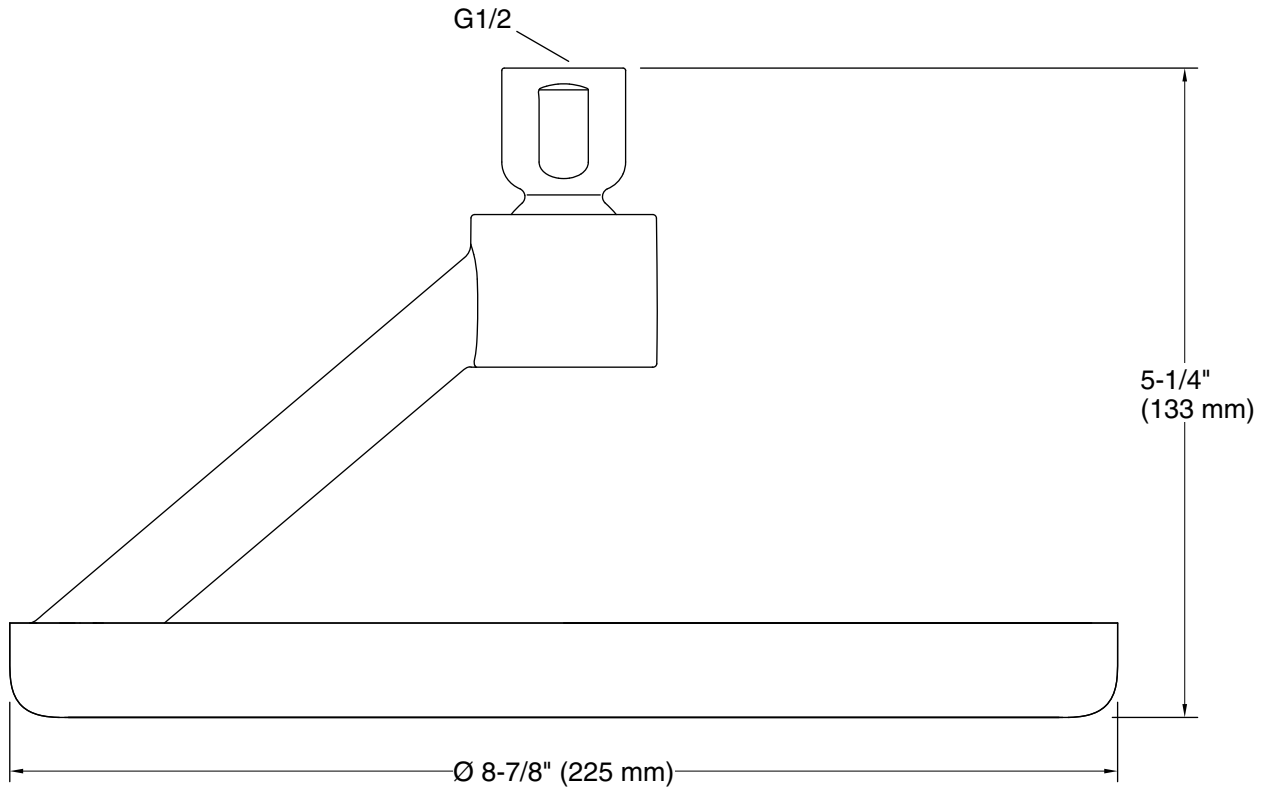
- Requires ceiling-mount single-function rainhead arm and flange (sold separately).



### Codes/Standards

None Applicable

See website for detailed warranty information.



**Technical Information**

All product dimensions are nominal.

**Showerhead/Body Spray:**

Rated maximum flow: 2.5 gal/min (9.5 l/min)

flow:

Pressure: 45 psi (3.1 bar)