



# Statement™ | K-26301W

Open Rain iconic round 225 mm single-function rainhead, 9.5 lpm

## Features

- Unique rainhead design reveals faucet stream flowing into wide-nozzle face plate, releasing a thick curtain of water
- Full Coverage Rain uses gravity to deliver a soft flow of water, providing a gentle spray experience reminiscent of natural rainfall
- Optimized sprayface for maximum performance
- 2.5 gpm (9.5 lpm) maximum flow rate at 45 psi (3.1 bar)
- G 1/2 connection



---

## Codes/Standards

*None Applicable*

---

## Technical Information

*All product dimensions are nominal.*

### Flow Rate

Shower/Rainhead Rated            2.5 gpm (9.5 l/min)

Maximum Flow:

---

## Material

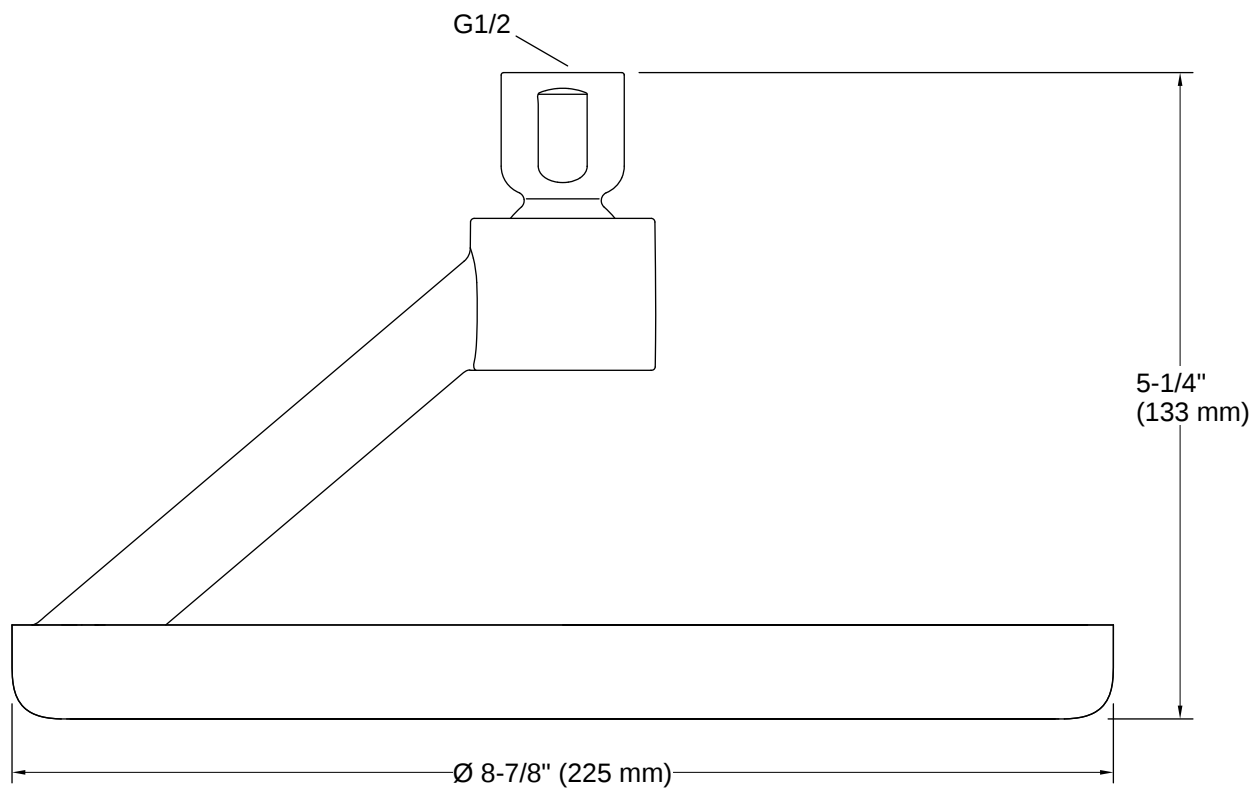
- Premium material construction for durability and reliability
  - KOHLER finishes resist corrosion and tarnishing
- 

## Warranty

*See website for detailed warranty information.*

KOHLER® Faucet Lifetime Limited Warranty





## Installation

- Requires ceiling-mount single-function rainhead arm and flange (sold separately)

## Installation Notes

*Install this product according to the installation instructions.*

