

Features

- Includes rainhead, wand handshower, hose, and ceiling-mount dual shower arm
- 79" x 22" (2003 x 563 mm) assembled shower kit
- Single-function round rainhead features Full Coverage with Katalyst™ air-induction technology, a drenching spray experience ideal for rinsing shampoo from hair
- Multifunction handshower offers two spray options
- Sweep® spray provides a wide massage stream of fine droplets with moderate pressure
- Cloud spray experience restores with a thick cloud of silky, super-fine water droplets
- MasterClean™ sprayface features an easy-to-clean surface that withstands mineral buildup and maximizes spray performance
- Optimized sprayface for maximum performance
- 2.5 gpm (9.5 lpm) rainhead and handshower flow rates

Material

- Premium material construction for durability and reliability
- KOHLER® finishes resist corrosion and tarnishing

Technology

- Katalyst® air-induction technology infuses water with air, creating bigger drops for a more powerful spray

Installation

- Requires valve and diverter or multiport valve (sold separately)
- G 1/2" - 14 connection
- Integrated system for ceiling-mount installation



Codes/Standards






None Applicable

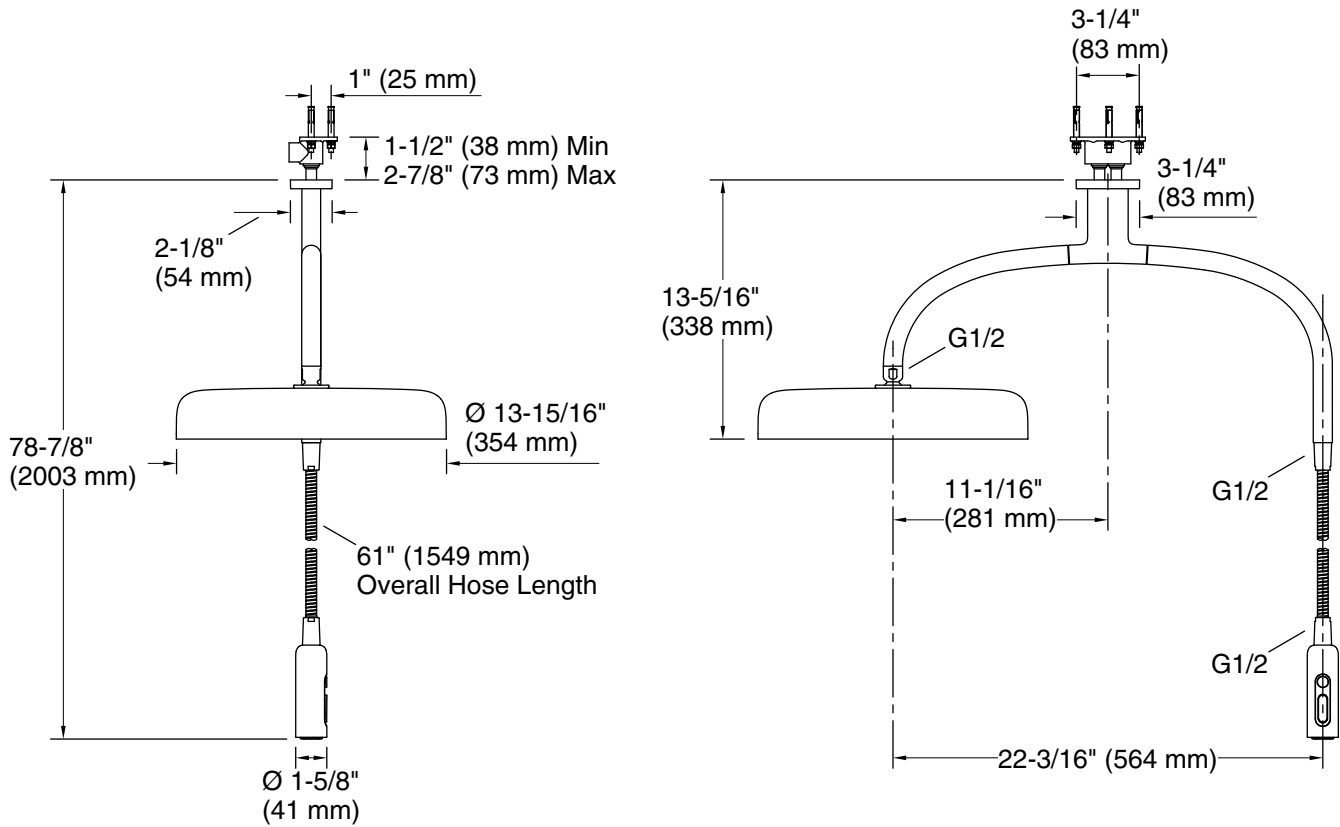
KOHLER® Faucet Lifetime Limited Warranty

See website for detailed warranty information.

Available Colors/Finishes

Color tiles intended for reference only.

Color	Code	Description
	CP	Polished Chrome
	AF	Vibrant® French Gold
	BN	Vibrant® Brushed Nickel
	BL	Matte Black
	RGD	Vibrant Rose Gold



Technical Information

All product dimensions are nominal.

Handshower:

Rated maximum flow: 2.5 gal/min (9.5 l/min)

Showerhead/Body Spray:

Rated maximum flow: 2.5 gal/min (9.5 l/min)