

KOHLER[®] Faucets

Wall-mount handshower holder with supply elbow and check valve

Statement[®]

K-26310

Features

- For use with a handshower and hose (sold separately)
- Includes check valve for backflow prevention
- Handshower holder fits most handshowers
- Coordinates with other products in the Statement collection

Material

- Durable metal construction
- KOHLER[®] finishes resist corrosion and tarnishing

Installation

- Wall-mount



Codes/Standards

None Applicable

KOHLER[®] Faucet Lifetime Limited Warranty

See website for detailed warranty information.

Available Colors/Finishes

Color tiles intended for reference only.

Color	Code	Description
	CP	Polished Chrome
	SN	Vibrant [®] Polished Nickel
	AF	Vibrant [®] French Gold
	BN	Vibrant [®] Brushed Nickel
	BL	Matte Black
	2MB	Vibrant [®] Brushed Moderne Brass
	TT	Vibrant Titanium

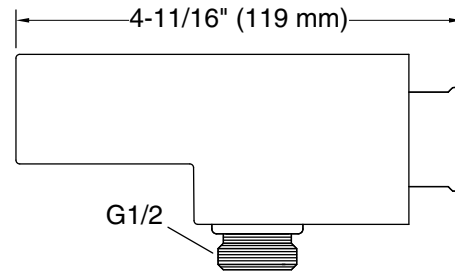
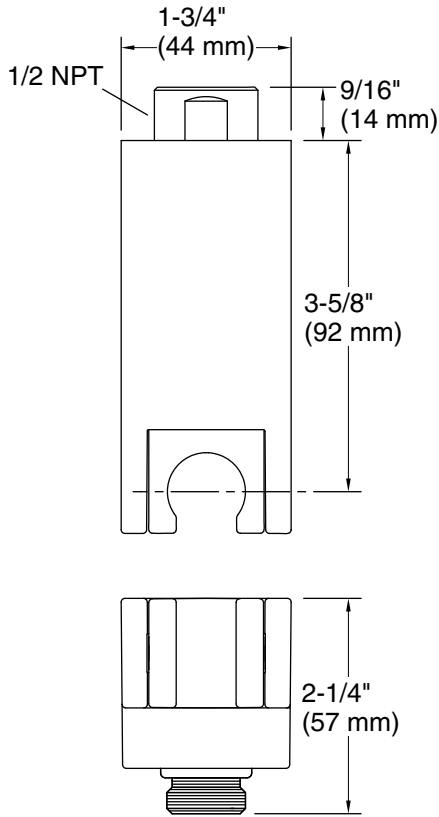
1-800-4KOHLER (1-800-456-4537)

Kohler Co. reserves the right to make revisions without notice to product specifications.

For the most current Specification Sheet, go to www.kohler.com USA or www.kohler.ca Canada

10-21-2024 00:43 - US/CA

THE BOLD LOOK
OF **KOHLER**[®]



Technical Information

All product dimensions are nominal.

Drain included: No

Handshower:

Rated maximum flow: 0 gal/min (0 l/min)