

### Features

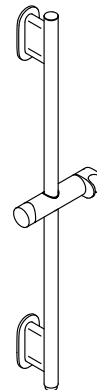
- Coordinates with most KOHLER handshowers and accessories; Statement round, oblong, or barrel-shaped design recommended.
- Integrated water supply allows water to be plumbed directly through bottom bracket of slidebar.
- Allows adjustment of handshower angle.
- Adjustable mounting brackets offer installation flexibility.

### Material

- Premium metal construction for durability and reliability.
- KOHLER finishes resist corrosion and tarnishing.

### Installation

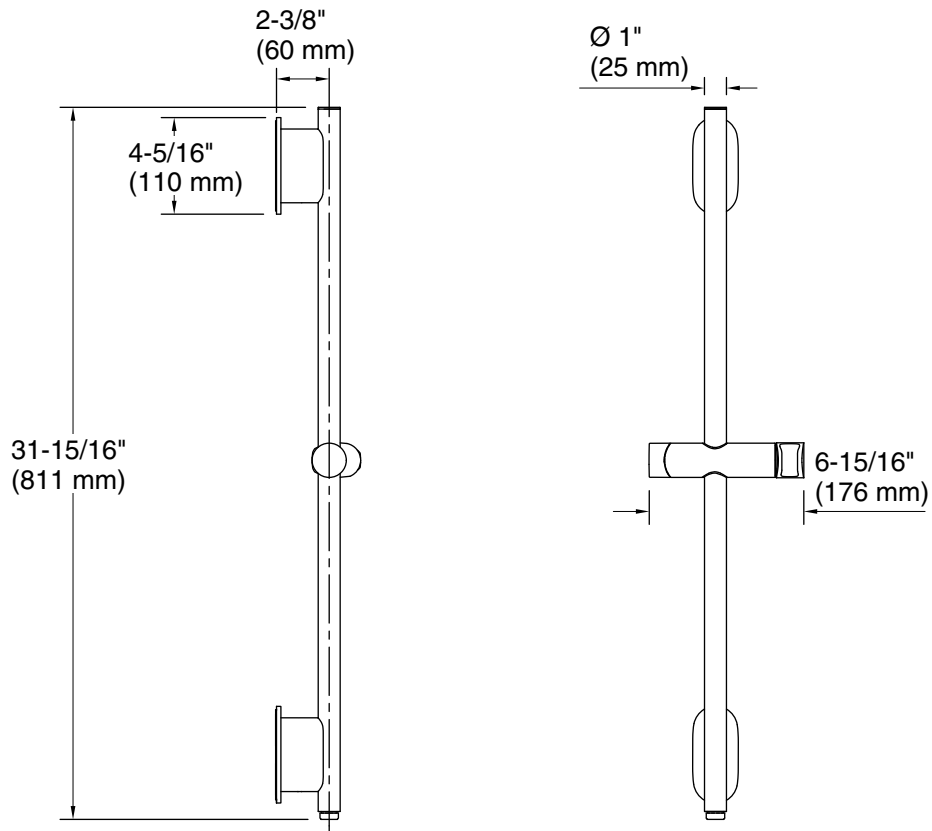
- Wall-mount.
- May require additional service parts based on installation type (see installation guide for details).



### Codes/Standards

None Applicable

See website for detailed warranty information.



### Technical Information

All product dimensions are nominal.

Drain included: No