

Features

- High-flow thermostatic mixing valve
- Mechanically controlled thermostatic mixing valve maintains outlet temperature throughout shower experience
- Up to 8 gpm (30.3 lpm) flow rate at 45 psi (3.1 bar) with maximum flow of 7 gpm (26.5 lpm) from one outlet
- 3/4" female NPT inlet connections
- 1/2" female NPT outlet connections
- Service stops with integral filters
- Antiscald protection
- Integrated adjustable high-temperature limit stop to control maximum water temperature
- Adjustable comfort setting (preset at approximately 104°F)
- Includes optional flow restrictor, limiting total flow to 1.75 gpm (6.6 lpm), for installations where water conservation or CEC compliance is desired

Material

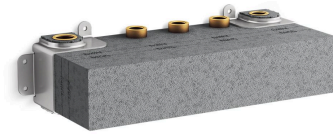
- Cast dezincification-resistant brass body provides long term reliability and resistance to aggressive water conditions

Installation

- Requires four-outlet thermostatic valve control panel trim with recessed push buttons (sold separately)
- Mounts within standard 2" x 4" (38 x 102 mm) walls
- Fully-serviceable from the front of the valve

Required Products/Accessories

[K-26348-9](#) Four-outlet recessed mechanical thermostatic valve control

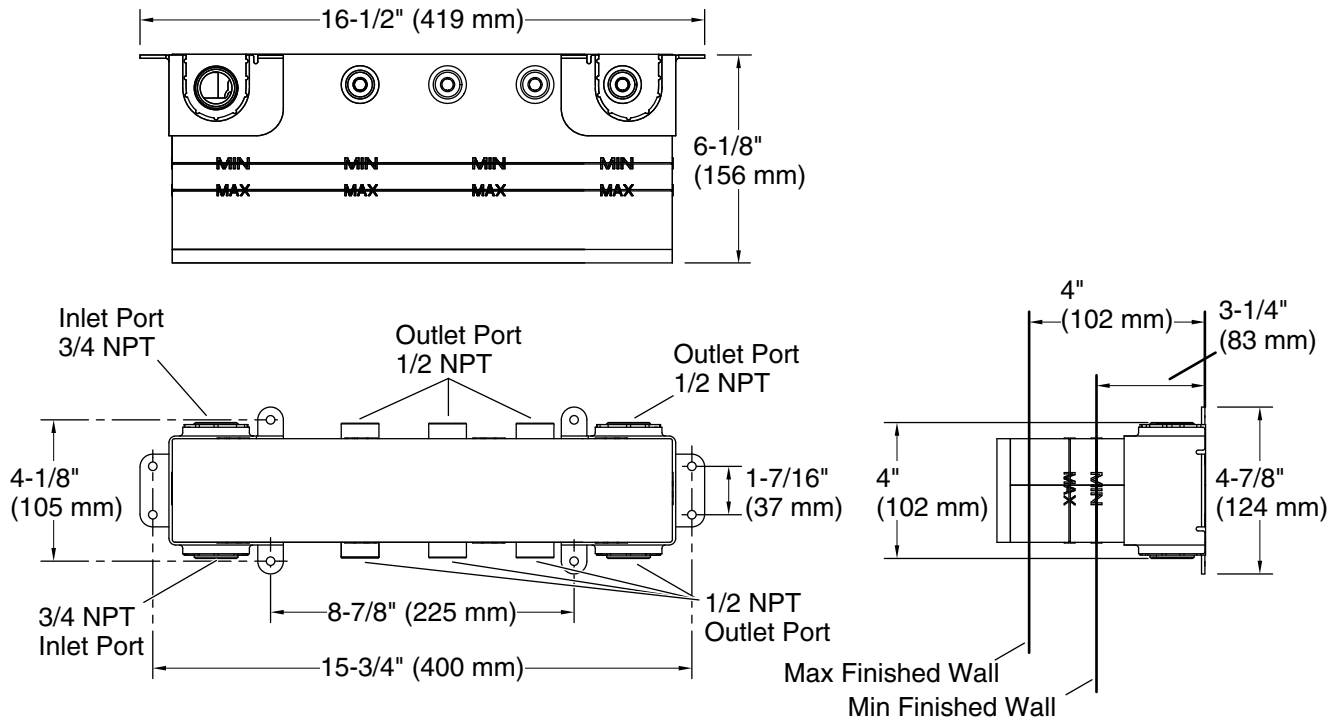


Codes/Standards

ASME A112.18.1/CSA B125.1
ASSE 1016/ASME A112.1016/CSA B125.16
IAPMO Certification

KOHLER® Faucet Lifetime Limited Warranty

See website for detailed warranty information.



Technical Information

All product dimensions are nominal.

Handshower:

Rated maximum flow: 0 gal/min (0 l/min)