

Features

- 110 mm (4.3 inch) in-wall tank width
- Robust steel frame
- Insulated tank to prevent sweating
- Minimal noise as water fills in
- Large flush actuator opening; remove faceplate for easy access to inner tank
- Pneumatic component initiates a smooth flush
- Blow molding ensures sturdy single body construction to prevent leaks
- In-wall tank, half frame, and dual-flush actuator only; requires wall-hung bowl, dual-flush faceplate, and seat (sold separately)

Material

- Premium material construction for durability and reliability

Installation

- When installed per Kohler installation instructions, the KOHLER in-wall tank and carrier system can support up to 400 kg without damage
- Supply line sold separately

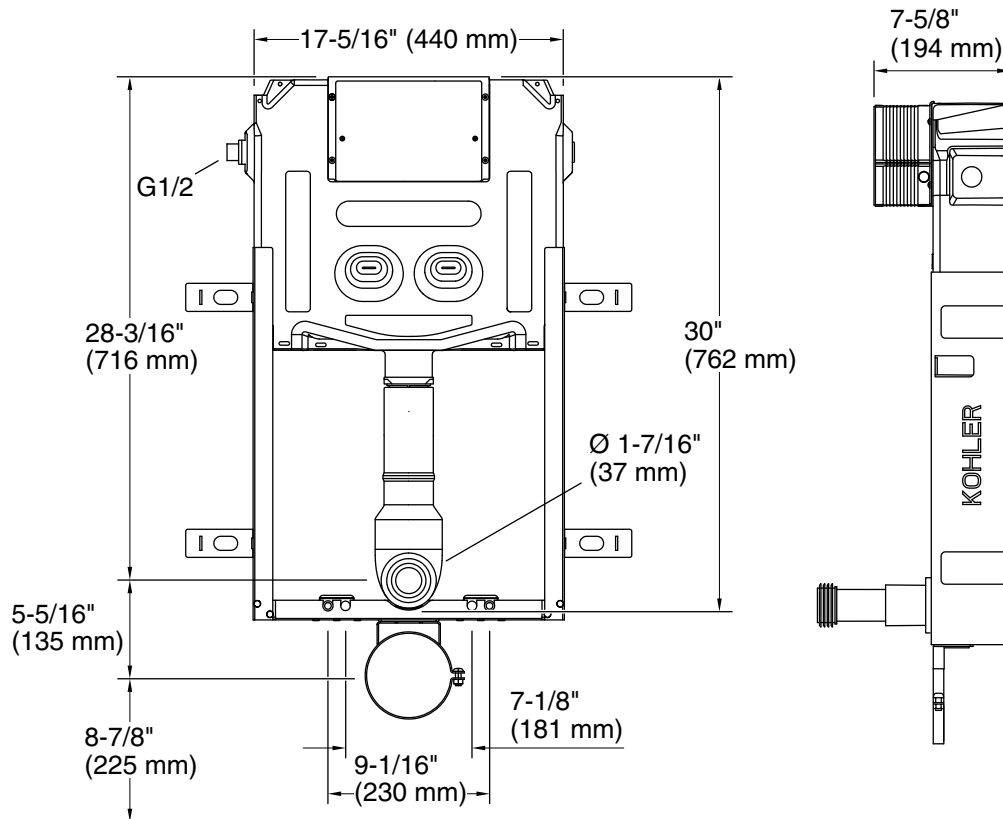


Codes/Standards

None Applicable

KOHLER® One-Year Limited Warranty

See website for detailed warranty information.



Technical Information

All product dimensions are nominal.

Toilet type: In-wall mount

Flush type: Pneumatic

Rough-in: 10" (254 mm)

Notes

Install this product according to the installation instructions.