

### BEFORE YOU BEGIN

- Please read these instructions carefully to familiarize yourself with the required tools, materials, and installation sequences. Follow the sections that pertain to your particular installation. This will help you avoid costly mistakes. In addition to proper installation, read all operating and safety instructions.
- All information in these instructions is based upon the latest product information available at the time of publication. Kohler China reserves the right to make changes in product characteristics, packaging, or availability at any time without notice.
- These instructions contain important care, cleaning, and warranty information-**please leave instructions for the consumer.**
- Before installation carefully inspect the new fixture for any signs of damage.
- The product complies with GB/T10357.4-2013, GB/T10357.5-2013 and GB24977-2010.

**⚠ WARNING: Risk of electrical shock.** A licensed electrician should make all electrical connections.

**⚠ WARNING: Risk of electrical shock.** Connect only to a circuit protected by a typical two-pole circuit breaker.

**⚠ WARNING: Risk of electrical shock.** Disconnect power before servicing.

### 安装之前

- 请仔细阅读本指引,以便熟悉所需工具、物料及安装程序。请遵照适用的章节来安装本产品,以免安装失当导致不必要的损失。除了有关正确的安装方法之外,还务请详阅所有操作及安全指引。

- 本指引所载之一切资料,均以印刷时所有之最新产品情况为基础,科勒中国保留权利随时更改产品特性、包装或供应情况,恕不另行通知。

- 说明书包括重要的安装、清洁及保养方面的内容,请把这些资料交给用户阅读,保管。

- 安装之前,仔细检查产品是否有损伤。

- 本产品符合 GB/T10357.4-2013, GB/T10357.5-2013 和 GB24977-2010。

**⚠ 警告: 有触电的危险。** 请找合格的电工来进行所有的线路连接。

**⚠ 警告: 有触电的危险。** 仅能和双极型断路器保护的电路连接。

**⚠ 警告: 有触电的危险。** 工作之前先切断电源。

### TOOLS REQUIRED

### 所需工具



### ACCESSORIS LIST

### 附件清单



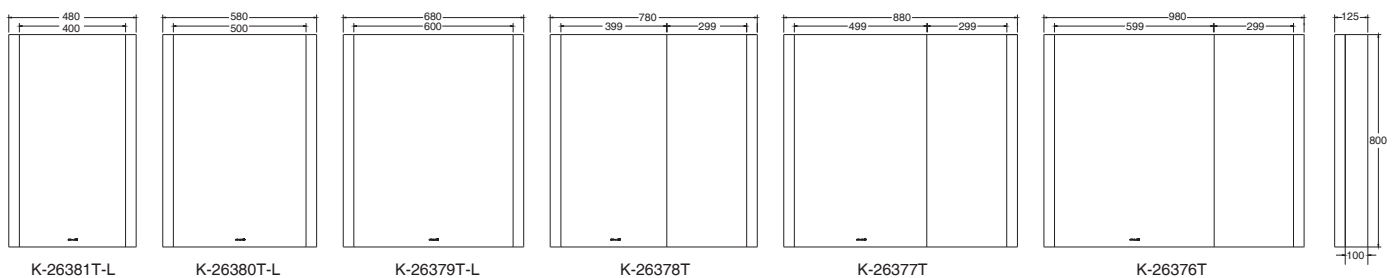
\* For K-26382T Only  
仅 K-26382T 配备

### ROUGHING-IN

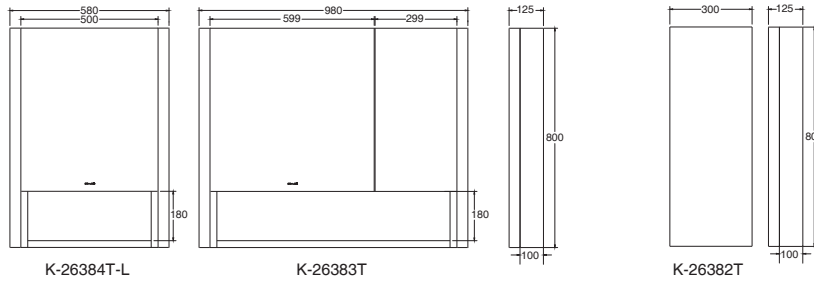
### 尺寸图

Reference Value  
参考值

UNIT: mm  
单位: 毫米



ZHONGSHAN KOHLER SHOWER CO., LTD. NO13-1, XINGYE ROAD, ZHONGSHAN TORCH DEVELOPMENT ZONE, ZHONGSHAN, GUANGDONG, CHINA POST CODE: 528437  
中山科勒卫浴有限公司 广东省中山市中山火炬开发区兴业路 13-1 号 邮编:528437



Kohler reserves the right to change marked dimensions without prior notice.  
科勒公司保留随时变更图中标示尺寸的权利，无需另行通知。

## ELECTRICAL PARTS LIST

## 电器部件清单

Item 序号	Electrical Function 电器功能	Type Description 规格描述	Fixate Place 安装位置
1	Power 电源	Input: 220V 50Hz, Pmax=36W	Top of Cabinet 柜体顶部
2	Defogger 防雾膜	Input: DC12V, Pmax=15W	On the back of the mirror 贴外镜背面
3	Side Lighting 竖灯	Input: DC12V, Pmax=16W, LED 4000K	Two side of mirrored cabinet 镜柜两侧
4	Inductive Switch 感应开关	Input: 12-24V 3A	Bottom of Cabinet 镜柜底部

## INSTALLATION

## 安装

### Cabinet Installation

### 柜体安装

**STEP1: Drill holes**  
安装步骤一：钻安装孔

Drill holes - Ø 6mm  
钻孔 - Ø 6mm

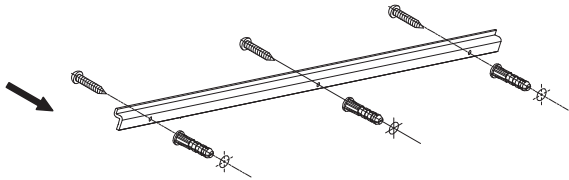
Fix the mounting bar to the wall, level the mounting bar.  
托承条固定到墙上，保持水平。

≥40 mm from top part of the countertop (such as faucet)  
距台面最高点（如水龙头把手）≥40  
(1150mm) To Floor  
(1150mm) 至地面

Mirror cabinet plus holes width 800mm and above  
镜柜宽度800mm及以上加此孔

Model 型号	L1	L2
K-26382T	160	160
K-26381T-L	260	260
K-26380T-L / K-26384T-L	360	360
K-26379T-L	460	460
K-26378T	560	560
K-26377T	660	660
K-26376T/K-26383T	760	760

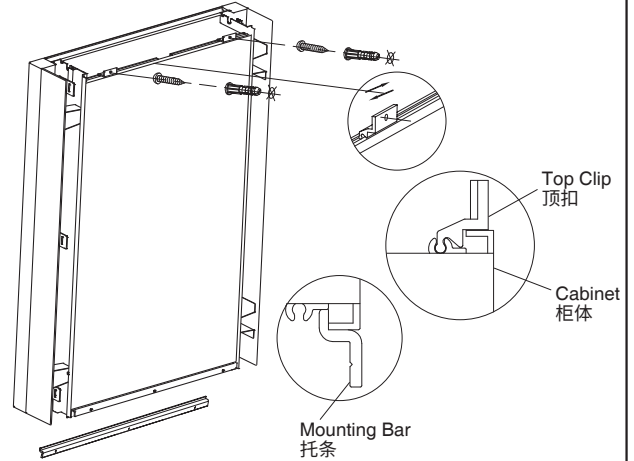
**STEP2: Install the mounting bar. Place it level and fix it.**  
 The number of screw holes is based on the actual product.  
 安装步骤二：安装托条,水平放置并固定。螺钉孔数量以实物为准。



**STEP3: Fix the cabinet**

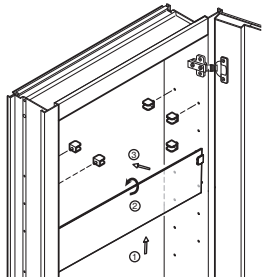
安装步骤三：固定柜体

1. Put the cabinet on the mounting bar.  
1. 将柜体放在托条上。
2. Insert top clips from the center of the top. Slide the clips to align with the drilled holes. Fix with screws. (Only K-26382T has a gap, the rest have been pre-installed with the clips)  
2. 从中间缺口嵌入顶扣在柜顶, 滑动顶扣, 对准上一步骤的钻孔后, 用螺钉固定。(仅K-26382T有缺口, 其余出厂已经装好顶扣)



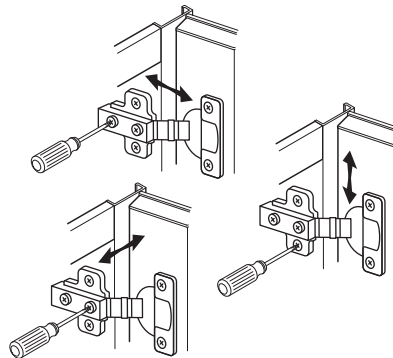
## Installation and Adjustment of Accessories 配件安装及调节

**STEP1: Install the clips. Insert the shelves between the clips.**  
 Insert the glass shelf into the snap-in pins, insert the glass shelf vertically upwards and then rotate to horizontal position.  
 安装步骤一：安装夹子, 将层板玻璃垂直插入层板夹, 再旋转水平后推入另一排层板夹中。



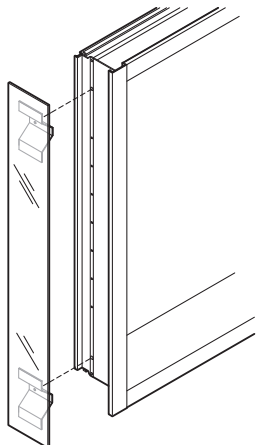
**STEP2: If needed, align the door.**

安装步骤二：若有需要, 可对柜门进行调整。



## Installation of Side Mirror 侧镜安装

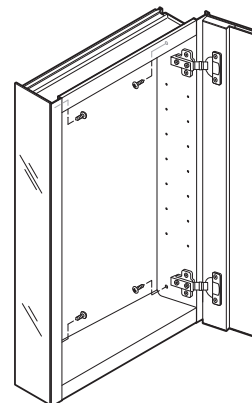
**STEP1: Align the brackets with the mounting holes.**  
 安装步骤一：将支架与安装孔对齐。



**STEP2: Secure the brackets with the round-headed short screws.**  
 安装步骤二：用圆头短螺钉将支架固定。

Note: When installed by cabinet splicing, side mirrors need not be installed on the cabinet side.

注意：拼柜安装时, 拼柜侧不用安装侧镜。

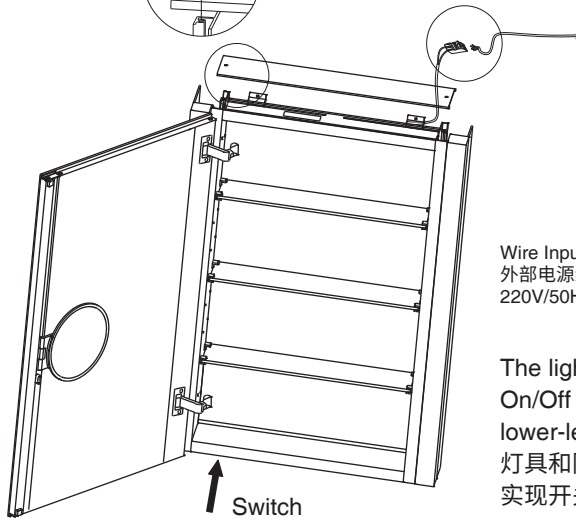
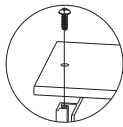


## Power line connection

## 电源线接入

STEP1: Wiring.

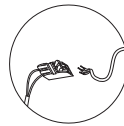
安装步骤一：接线。



Switch  
开关

STEP2: Fix top cover.

安装步骤二：固定顶盖。



Wiring Terminal

Pull the orange handle until it is locked.

Insert the wire and restore the handle.

接线端子  
扳动橙色操作手柄，直至其处于竖直锁定位置，将导线插入，随后将手柄扳回原位，接线完成。

Wire Input  
外部电源线输入  
220V/50Hz

The lighting and defogger can be turned

On/Off with the inductive switch at the lower-left corner of the mirror cabinet.

灯具和防雾膜可通过镜柜左下角的感应开关实现开关。

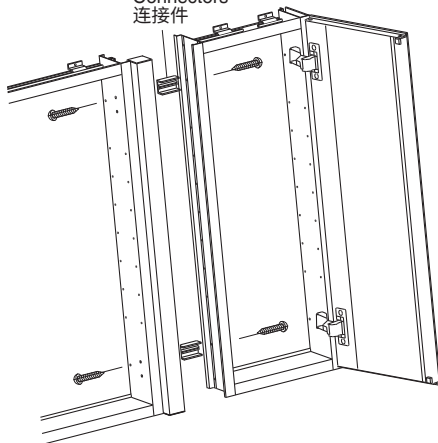
## Installed Cabinet / 拼柜安装

## Adjust magnifying glass / 调整放大镜

K-26382T can be installed by cabinet splicing. Add additional connectors on the basis of the mounting bar and the top clips. (86mm for models with light, 46mm for models without light)

K-26382T 可拼柜安装，在托条与顶扣基础上增加连接件（带灯款用 86mm，不带灯款用 46mm）

Connectors  
连接件



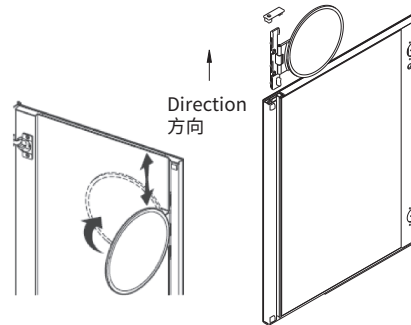
To adjust mirror height, slide up or down.

**IMPORTANT!** Rotate mirror in before closing the door.

上下滑动，以调节镜子高度。

**重要：** 必须在柜门关闭前旋入镜子。

The mirror can be removed.  
放大镜可以拆卸。



Direction  
方向

Press the button to easily move mirror up or down  
按住此按钮可轻松上下移动放大镜组件

## USER MAINTENANCE

## 日常维护

**Warning! Risk of product damage.**

The bathroom shall be kept in good ventilation. Clean the cabinet with water and soft cloth. Do not use detergent containing abrasive and chemical substance.

**警告！小心产品受损。**

卫生间尽量保持空气畅通，镜柜只能使用蘸有清水的湿布擦拭，勿使用含研磨剂及化学物质的清洁剂。