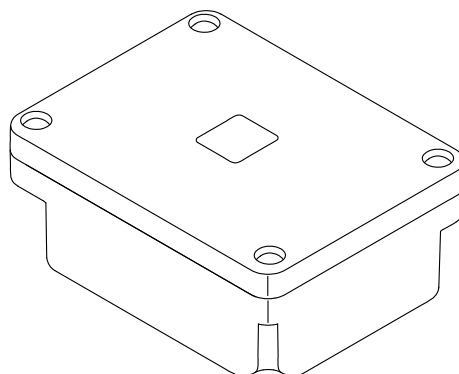


Features

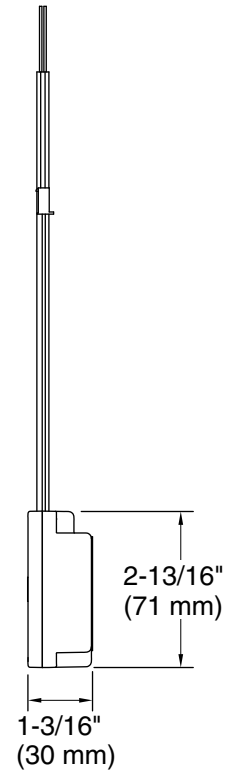
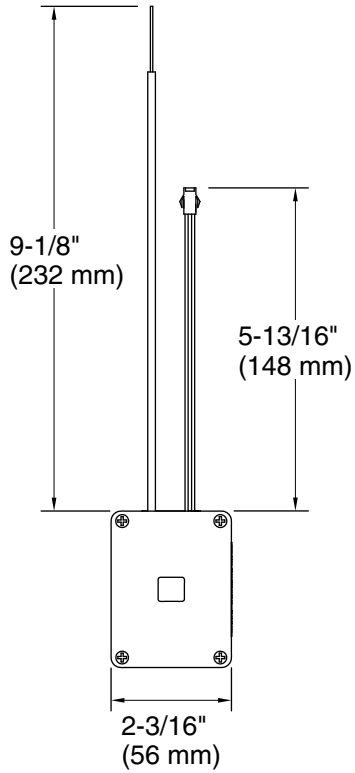
- Input for 100-240 V, 50/60 Hz operation
- Regulated output of 5 VDC at 1.0 amps
- For use with urinal sensors and hands-free urinal products
- Ideal for commercial installations



Codes/Standards

Plumbing Standards
CJ/T 194

See website for detailed warranty information.



Technical Information

All product dimensions are nominal.

Material: Plastic

Notes

Install this product according to the installation instructions.