

Features

- 8" (203 mm) widespread faucet holes
- Oval basin
- Overflow drain

Material

- Vitreous china

Installation

- Drop-in

Recommended Products/Accessories

- K-9018 P-Trap
- K-7129-A Bathroom sink grid drain with overflow
- K-23726 Drain treatment
- K-23725 Cast iron cleaner



ADA **CSA B651** **OBC**

Codes/Standards




ASME A112.19.2/CSA B45.1
ADA
ICC/ANSI A117.1
CSA B651
OBC
IAPMO Certification

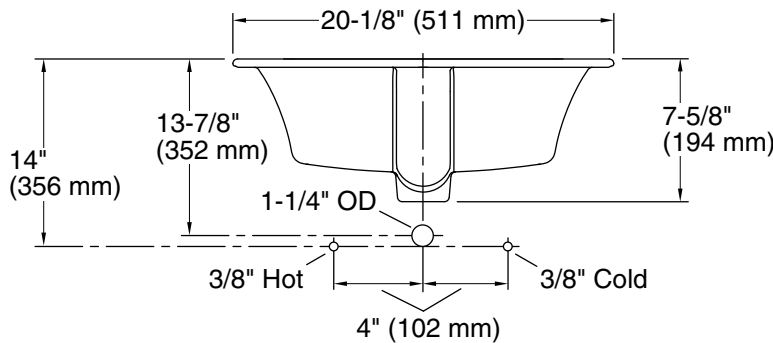
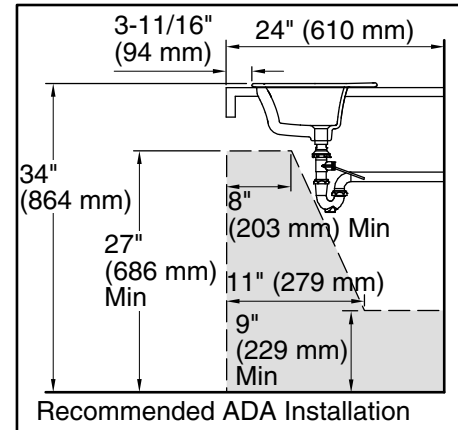
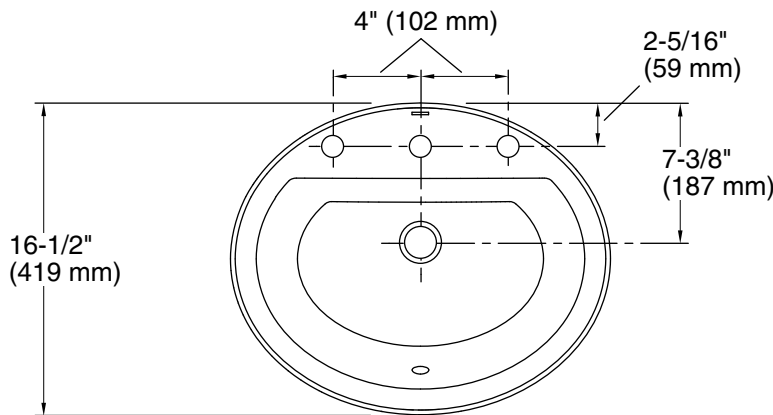
KOHLER® Vitreous China Bathroom Sink Lifetime Limited Warranty

See website for detailed warranty information.

Available Colors/Finishes

Color tiles intended for reference only.

| Color | Code | Description |
|---|------|--------------|
|  | 0 | White |
|  | 96 | Biscuit |
|  | 7 | Black Black™ |



Technical Information

All product dimensions are nominal.

| | |
|-----------------------|---|
| Basin configuration: | Single Bowl |
| Center(s): | 8" (203 mm) |
| Bowl area (Basin #1): | Length: 17-3/8" (441 mm) Width: 11-1/8" (283 mm) Water depth: 4" (102 mm) |
| With overflow: | Yes |
| Number of deck holes: | 3 |
| Faucet hole(s): | 1-3/8" (35 mm) |
| Drain hole: | 1-3/4" (44 mm) |
| Template: | 1155261-7, required, included |

Notes

Install this product according to the installation instructions.

Spout must be 5" (12.7 cm) long (min) for adequate clearance into the lavatory when installed with the centerline as shown.

Spout must be tall enough to clear 3" (7.6 cm) rim height and provide a 1" (2.5 cm) air gap per ASME A112.1.1.

NOTICE: Countertop manufacturer or cutter must use the cut-out template provided with the product, or a current one provided by Kohler Co. (call 1-800-4-KOHLER). Kohler Co. is not responsible for cutout errors when the incorrect cut-out template is used.

ADA, OBC, CSA B651 compliant when installed to the specific requirements of these regulations.