

### Features

- Modern, simplistic exposed thermostatic column serves as a hub for shower controls
- Mechanically controlled thermostatic mixing valve maintains outlet temperature throughout shower experience
- Exposed thermostatic valve provides on/off operation, outlet selection, and precise control of water volume and intensity
- Requires showerhead or rainhead, handshower, and hose (each sold separately)

### Material

- Premium material construction for durability and reliability
- KOHLER® finishes resist corrosion and tarnishing

### Installation

- 1/2" -14 NPT connection

### Recommended Products/Accessories

- K-27050 Single-function showerhead, 2.5 gpm
- K-27050-G Single-function showerhead, 1.75 gpm



### Codes/Standards






ASME A112.18.1/CSA B125.1  
ASSE 1016/ASME A112.1016/CSA B125.16  
IAPMO Certification

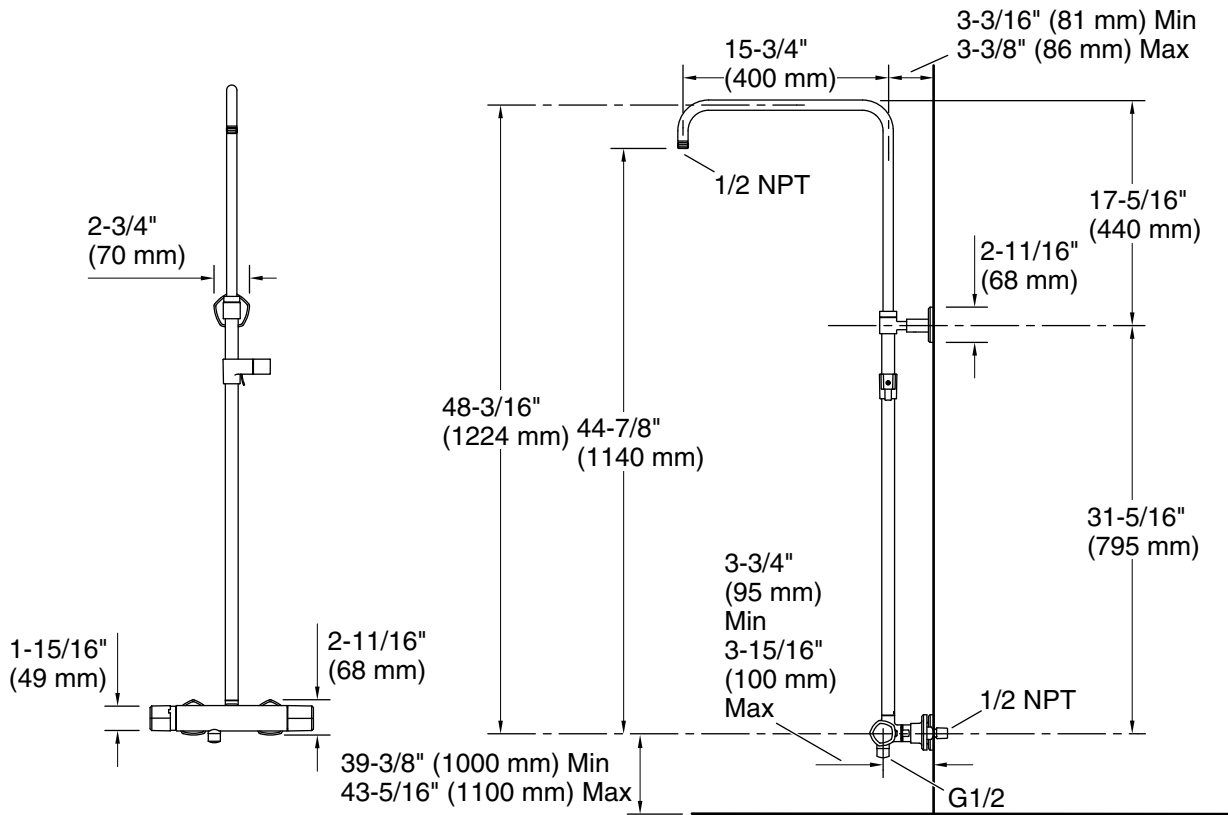
### KOHLER® Faucet Lifetime Limited Warranty

See website for detailed warranty information.

### Available Colors/Finishes

*Color tiles intended for reference only.*

Color	Code	Description
	CP	Polished Chrome
	SN	Vibrant® Polished Nickel
	BN	Vibrant® Brushed Nickel
	BL	Matte Black
	2MB	Vibrant® Brushed Moderne Brass



**Technical Information**

All product dimensions are nominal.

**Shower Valve:**

Flow Rate (Max) @ 45 psi	5 gal/min (18.9 l/min)
Manufacturer's minimum rated flow:	1.3 gal/min (4.9 l/min)
Pressure:	45 psi (3.1 bar)
Maximum (Static) Pressure:	125 psi (8.6 bar)
Minimum (Operating) Pressure:	20 psi (1.4 bar)

Drain included: No

**Handshower:**

Rated maximum flow: 0 gal/min (0 l/min)